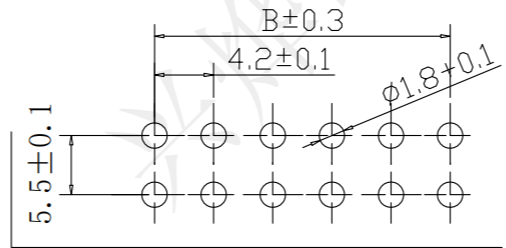
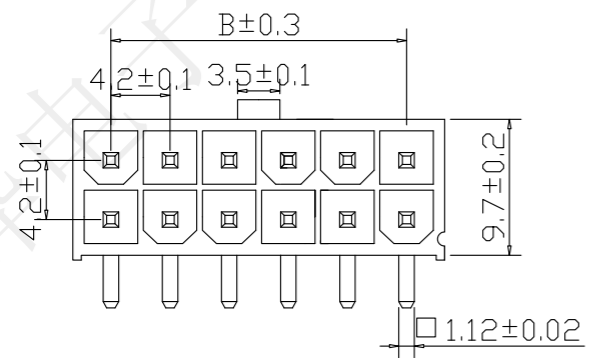
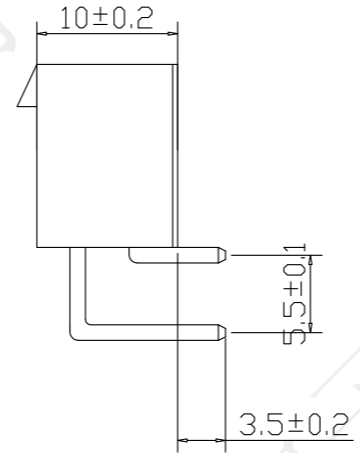
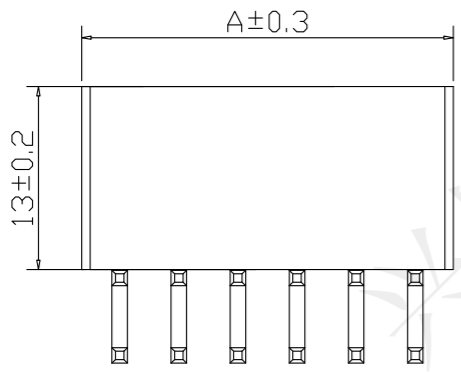


REV.	ECN NO.	DESCRIPTION	DRAW	APPD.	DATE
A	---				



PCB LAYOUT

使用温度范围 (Ambient temperature Range): $-25^{\circ}\sim+85^{\circ}$
 适用线规 (Applicable Wires): AWG 22#~18#
 适用基板厚度 (Applicable PCboard thickness): 1.6mm~2.0MM
 额定电压 (Voltage rating): 250V AC,DC
 额定电流 (Current rating): 7A
 接触电阻 (Contact Resistance): $<0.015\Omega$
 绝缘电阻 (Insulation Resistance): $>1000M\Omega$
 耐压 (Withstand Voltange): 1500VAC/min

材料 (Material)
 1. 基座: PA66 94V-2
 2. 插针: 黄铜

受控文件

PIN数	料号	尺寸	
		A	B
5569-2X1AW	CZB25748	5.4	
5569-2X2AW	CZB25749	9.6	4.2
5569-2X3AW	CZB25750	13.8	8.4
5569-2X4AW	CZB25751	18.0	12.6
5569-2X5AW	CZB25752	22.2	16.8
5569-2X6AW	CZB25753	26.4	21.0
5569-2X7AW	CZB25754	30.6	25.2
5569-2X8AW	CZB25755	34.8	29.4
5569-2X9AW	CZB25756	39.0	33.6
5569-2X10AW	CZB25757	43.2	37.8
5569-2X11AW	CZB25758	47.4	42.0
5569-2X12AW	CZB25759	51.6	46.2



深圳市兴烨电子有限公司
 Shenzhen XingYe Electronics co., Ltd

TOLERANCE		
.XX ±0.30	X.° ±2°	APPD: 陈爱光
.XX ±0.20	x° ±1°	CHEd: 施立敏
.XXX ±0.10	.XX° ±0.5°	DRAW: 马洪飞
UNITS	mm	

Series Name : 5569-2*nAW
 Product Name :

Part NO:		
	SCALE	SHEET
	1:1	1/1
	REV.	A1