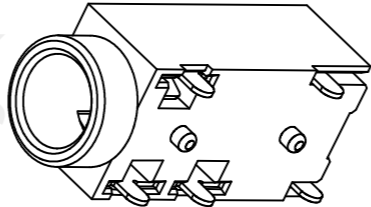
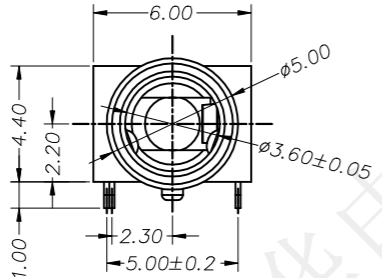
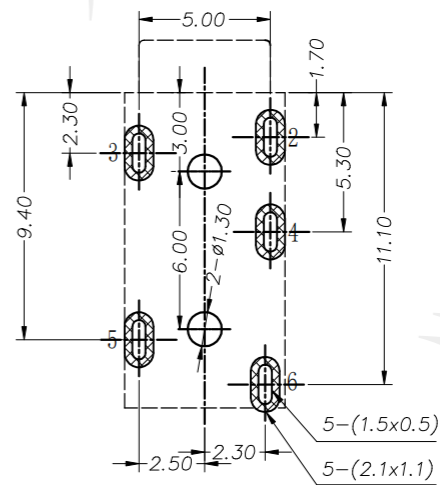
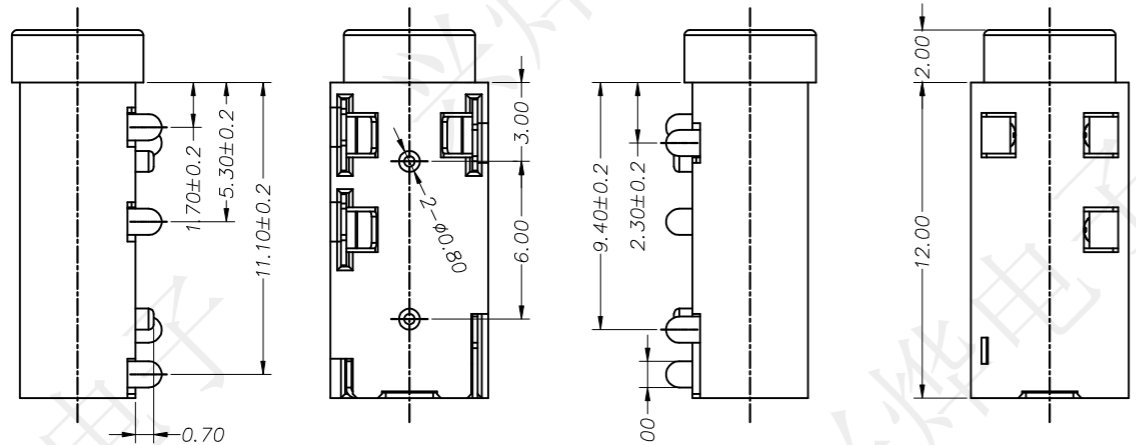


| REV. | ECN NO. | DESCRIPTION | DRAW | APPD. | DATE |
|------|---------|-------------|------|-------|------|
| A | --- | | | | |

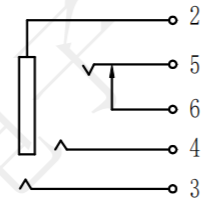
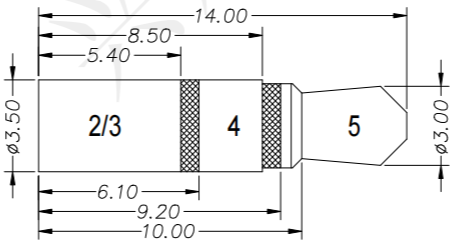


SPECIFICATION:
 Operating temperature: -30°C~70°C
 Rated loading: DC 30V 0.5A
 Contact resistance: 30mΩ Max
 Insulation resistance: 100MΩ Min
 Withstanding voltage: AC 500V (50Hz) /min
 Insertion force: 3-30N
 Pullout force: 3-30N
 Life: 5000 CYCLES



P. C. B LAYOUT TOP VIEW

受控文件



SCHEMATIC



| 4 | PJ-327D-04 | 后盖脚 | 1 | 磷铜 | 0.20T | 镀锡 |
|----|------------|------|----|-----|-------|----|
| 3 | PJ-327D-03 | 弹片脚 | 1 | 磷铜 | 0.20T | 镀锡 |
| 2 | PJ-327D-02 | 中脚 | 3 | 磷铜 | 0.20T | 镀锡 |
| 1 | PJ-327D-01 | 底座 | 1 | PPA | | 黑色 |
| 序号 | 产品编号 | 产品名称 | 数量 | 材料 | 规格 | 处理 |

| | | | | | |
|------------|------------|-------------------------------------|--|------------------|-----|
| | | Series Name : 3.5耳机座 | | | |
| | | Product Name : PJ-327D五脚直插有头带柱脚长1.0 | | | |
| TOLERANCE | | Part NO: PJL12127 | | | |
| X.X ±0.30 | X.° ±2° | APPD: 陈爱光 | | SCALE SHEET REV. | |
| .XX ±0.20 | .X° ±1° | CHED: 施立敏 | | 1:1 | 1/1 |
| .XXX ±0.10 | .XX° ±0.5° | DRAW: 马洪飞 | | REV. A1 | |
| UNITS | mm | | | | |