

REV.	ECN NO.	DESCRIPTION	DRAW	APPD.	DATE



NOTE:

- MECHANICAL PERFORMANCE,
 - INSERTION FORCE: 0.5~2.0kgf.
 - EXTRACTION FORCE: 0.8kgf~2.0kgf. AFTER DURABILITY TEST.
 - DURABILITY: 10000 CYCLES.
- ELECTRICAL PERFORMANCE,
 - CURRENT RATING:5.0A
VOLTAGE RATING:5.0V
 - LLCR:
 - VBUS & GND PINS AND OTHER PINS: 40mΩ/PIN MAX.
SHIELD: 50mΩ/MAX.
LLCR MAX. CHANGE OF ALL PINS: 10mΩ.
 - INSULATION RESISTANCE: 100MΩ MIN
DIELECTRIC WITHSTAND VOLTAGE,AC 100V FOR 1 MINUTE.
- ENVIRONMENTAL PERFORMANCE:
 - OPERATING TEMPERATURE: -25°C~+85°C.
- IR REFLOW:
 - THE PEAK TEMPERATURE ON THE BOARD SHALL BE MAINTAINED FOR 10 SECONDS AT 260°C.

受控文件



USB TYPE C PIN ASSIGNMENTS

PIN NUMBER	SIGNAL NAME	PIN NUMBER	SIGNAL NAME
A1	GND	B12	GND
A2	SSTXP1	B11	SSRXP1
A3	SSTXN1	B10	SSRXN1
A4	VBUS	B9	VBUS
A5	CC1	B8	SBU2
A6	DP1	B7	DN2
A7	DN1	B6	DP2
A8	SBU1	B5	CC2
A9	VBUS	B4	VBUS
A10	SSRXN2	B3	SSTXN2
A11	SSRXP2	B2	SSTXP2
A12	GND	B1	GND

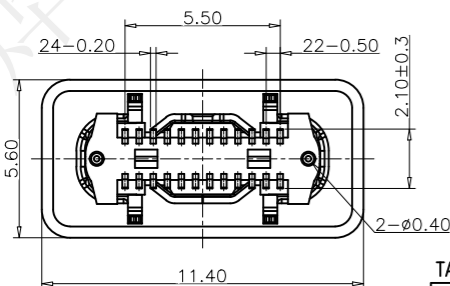
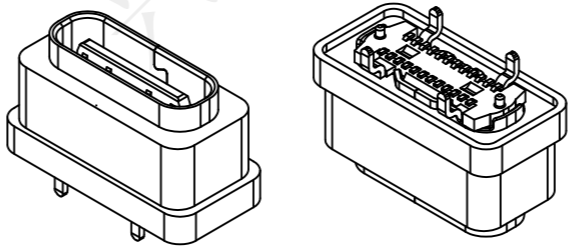
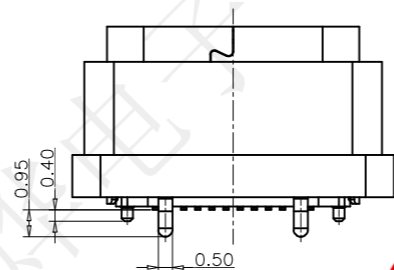
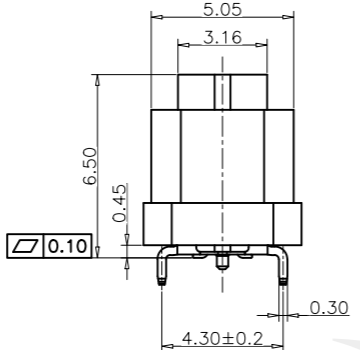
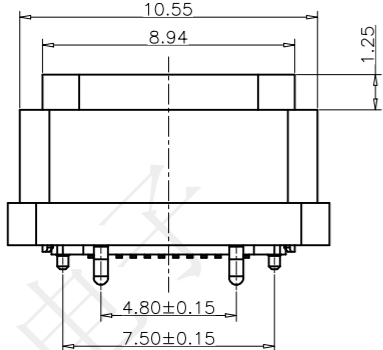
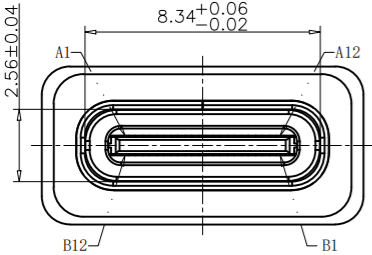
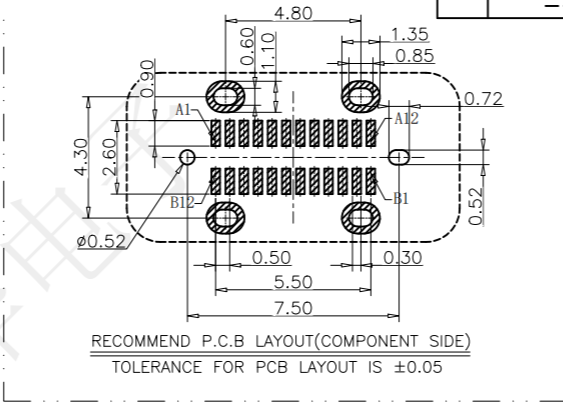


TABLE:

NO	PART	Q'TY	Material
1	SHELL	1	SUS304 STEEL,NI PLATED
2	EMI Plate	1	SUS301 STEEL,NO PLATED
3	Mid Plate	1	SUS301 STEEL,NO PLATED
4	CONTACT	24	C18150,TIN/Au3u"/NI PLATED
5	1MD HOUSING	1	LCP BLACK UL94 V-0
6	2MD HOUSING	1	LCP BLACK UL94 V-0
7	PLASTIC SHELL	1	PA BLACK UL94 V-0

深圳市兴烨电子有限公司
Shenzhen XingYe Electronics co., Ltd

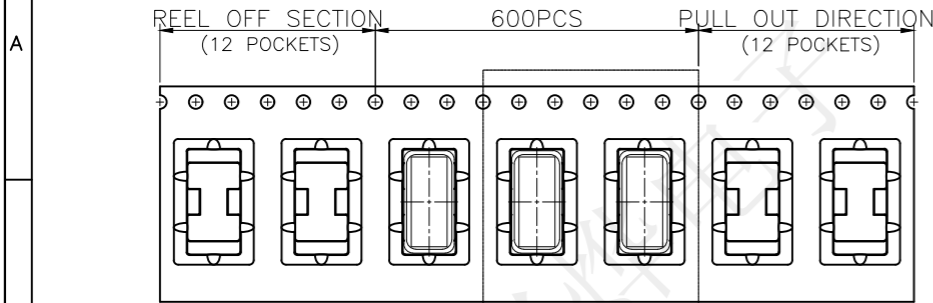
TOLERANCE		
X.X	±0.30	X.° ±2°
.XX	±0.20	.X° ±1°
.XXX	±0.10	.XX° ±0.5°
UNITS	mm	

Series Name :		
Product Name :	TYPE-CF-24P立贴H6.5四脚插脚宽0.5防水IPX-6加盖编带	
Part NO:	UCI27633	
SCALE	SHEET	REV.
1:1	1/1	A1

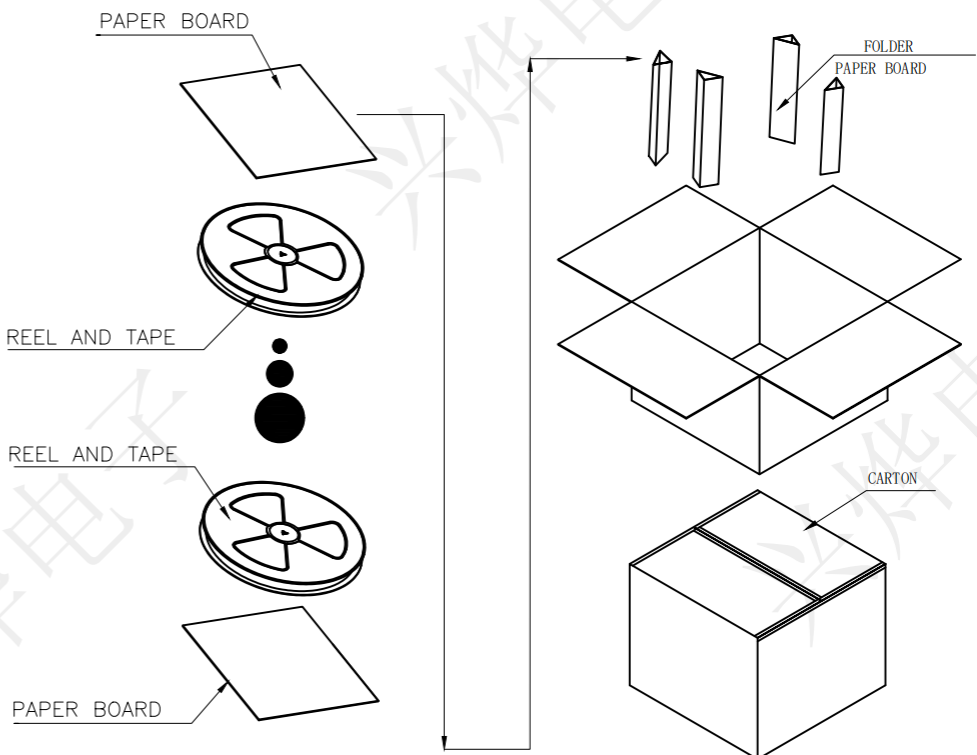
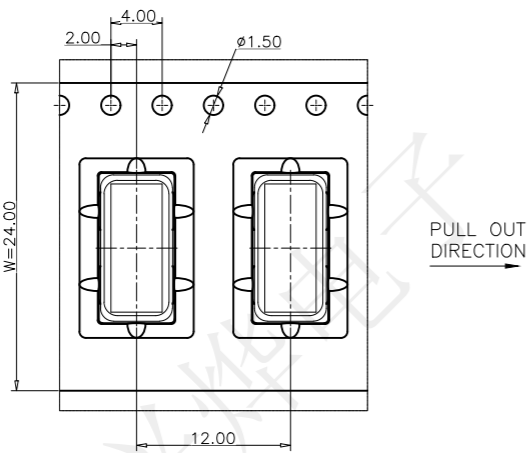
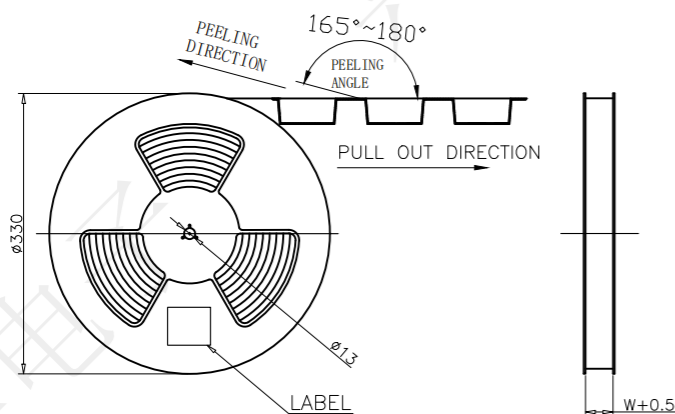
APPD: 陈爱光
CHED: 施立敏
DRAW: 马洪飞

包装图

REV.	ECN NO.	DESCRIPTION	DRAW	APPD.	DATE



SEE DETAIL X



受控文件

	REEL	CARTON
CONNECTOR (PCS)	600	6000

深圳市兴烨电子有限公司 ShenZhen XingYe Electronics co., Ltd		Series Name :		
		Product Name : TYPE-CF-24P立贴H6.5四脚插脚宽0.5防水IPX-6加盖编带		
TOLERANCE		Part NO: UCI27633		
X.X ±0.30	X° ±2°	APPD: 陈爱光	SCALE SHEET REV. 1:1 1/1 A1	
.XX ±0.20	.X° ±1°	CHED: 施立敏		
.XXX ±0.10	.XX° ±0.5°	DRAW: 马洪飞		
UNITS	mm			