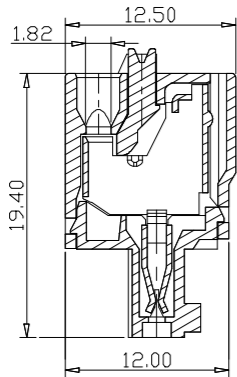
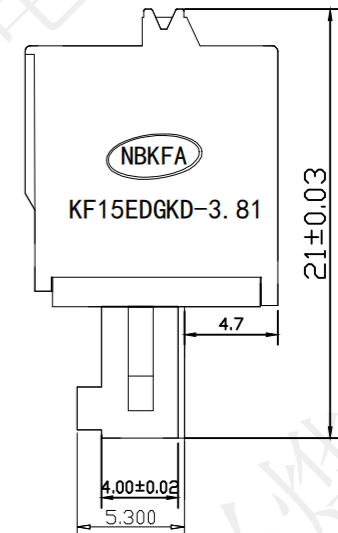
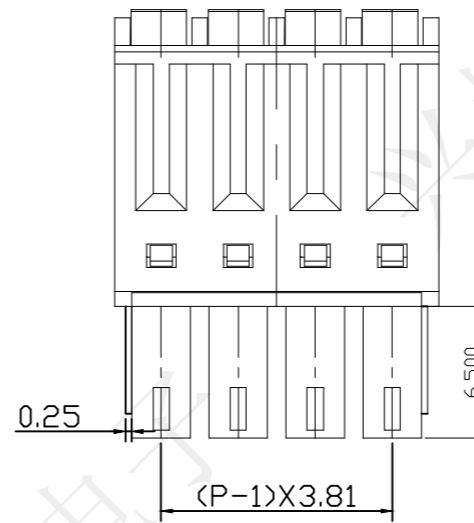
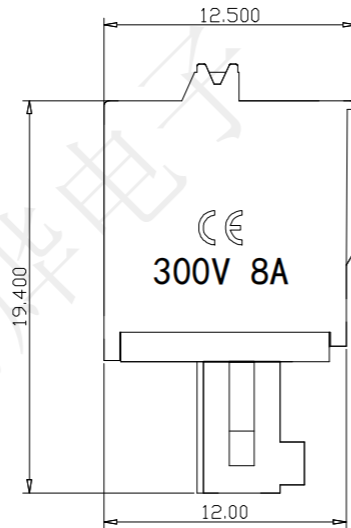


REV.	ECN NO.	DESCRIPTION	DRAW	APPD.	DATE
A	---				

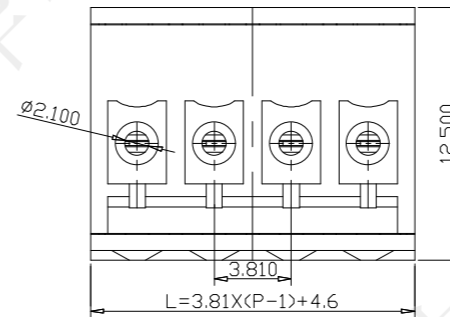


SECTION:A-A



NOTES:

1. Rating:300V 8A .
2. Insulation Withstands Voltage: AC2000V/MIN
3. Using Temperature Range: -40° C+105° C
4. Suitable Electric Wire:28-16AWG
5. Pitch:3.81
6. Contactor Matenal:Iron block/
The iron square



受控文件

Total Pitch Tolerances in mm										Nominal dimension range in mm										⊥	≡	-	//							
over 0	over 30	over 53	over 70	over 90	over 115	over 150	over 250	over 350	over 500	over 0	over 30	over 53	over 70	over 90	over 115	over 150	over 200	over 250	over 320	over 0	over 10	all	over 0	over 100	over 150					
±0.18	±0.20	±0.25	±0.3	±0.35	±0.44	±0.60	±0.70	±0.85	±0.20	±0.25	±0.30	±0.35	±0.44	±0.55	±0.70	±0.80	±0.90	0.2	0.3	0.3	0.2	0.3	0.5							

		Series Name : 接线柱15EDGKD-3.81-nP公座							
		Product Name :							
TOLERANCE		Part NO:							
X.X ±0.30	X.* ± 2*	APPD: 陈爱光	<table border="1"> <tr> <td>SCALE</td> <td>SHEET</td> <td>REV.</td> </tr> <tr> <td>1:1</td> <td>1/1</td> <td>A1</td> </tr> </table>	SCALE	SHEET	REV.	1:1	1/1	A1
SCALE	SHEET	REV.							
1:1	1/1	A1							
.XX ±0.20	.X* ± 1*	CHEd: 施立敏							
.XXX ±0.10	.XX* ±0.5*	DRAW: 马洪飞							
UNITS	mm								