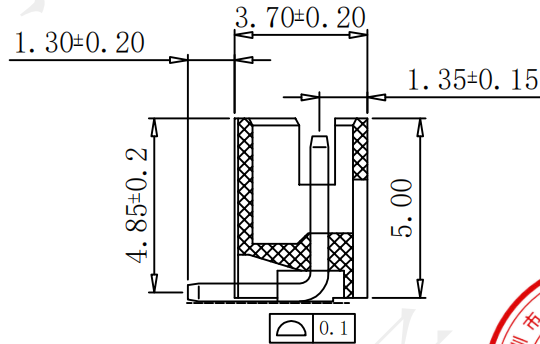
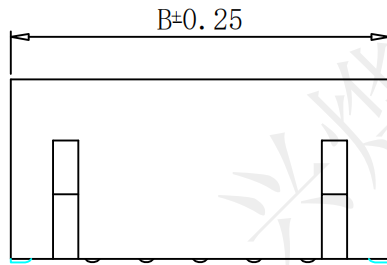


REV.	ECN NO.	DESCRIPTION	DRAW	APPD.	DATE
A	---				

受控文件



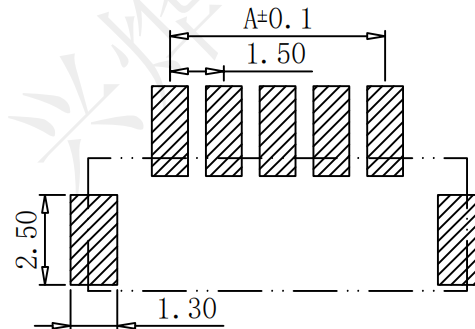
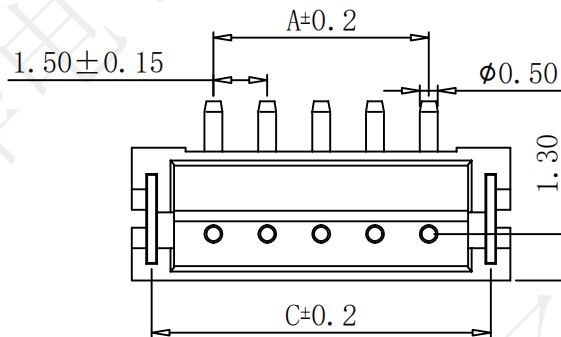
SPECIFICATIONS

- 1、Current Rating: 1A AC, DC
- 2、Voltage Rating: 125V AC, DC
- 3、Temperature Range: -25℃~+85℃
- 4、Contact Resistance: 20mΩ Max
- 5、Insulation Resistance: 500MΩ Min
- 6、Withstanding Voltage: 500V AC/minute
- 7、Material: LPC UL94V-0

PIN brass Tin-plated
Solder tab brass Tin-plated



PIN数	料号	尺寸		
		A	B	C
2P	TZL24039	1.5	6.05	4.95
3P	TZL24040	3.0	7.55	6.45
4P	TZL24041	4.5	9.05	7.95
5P	TZL24042	6.0	10.55	9.45
6P	TZL24043	7.5	12.05	10.95
7P	TZL24044	9.0	13.55	12.45
8P	TZL24045	10.5	15.05	13.95
9P	TZL24046	12.0	16.55	15.45
10P	TZL24047	13.5	18.05	16.95
11P	TZL24048	15.0	19.55	18.45
12P	TZL24049	16.5	21.05	19.95
13P	TZL24050	18.0	22.55	21.45
14P	TZL24051	19.5	24.05	22.95
15P	TZL24052	21.0	25.55	24.45
16P	TZL24053	22.5	27.05	25.95



PCB LAYOUT

深圳市兴烨电子有限公司
ShenZhen XingYe Electronics co., Ltd

Series Name :
1.5间距 立式贴片系列

Product Description :

TOLERANCE

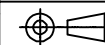
X.X	±0.30	X.°	±2°
.XX	±0.20	.X°	±1°
.XXX	±0.10	.XX°	±0.5°
UNITS	mm		

APPD: 陈爱光

CHED: 施立敏

DRAW: 马洪飞

Part NO:



SCALE	SHEET	REV.
1:1	1/1	A1