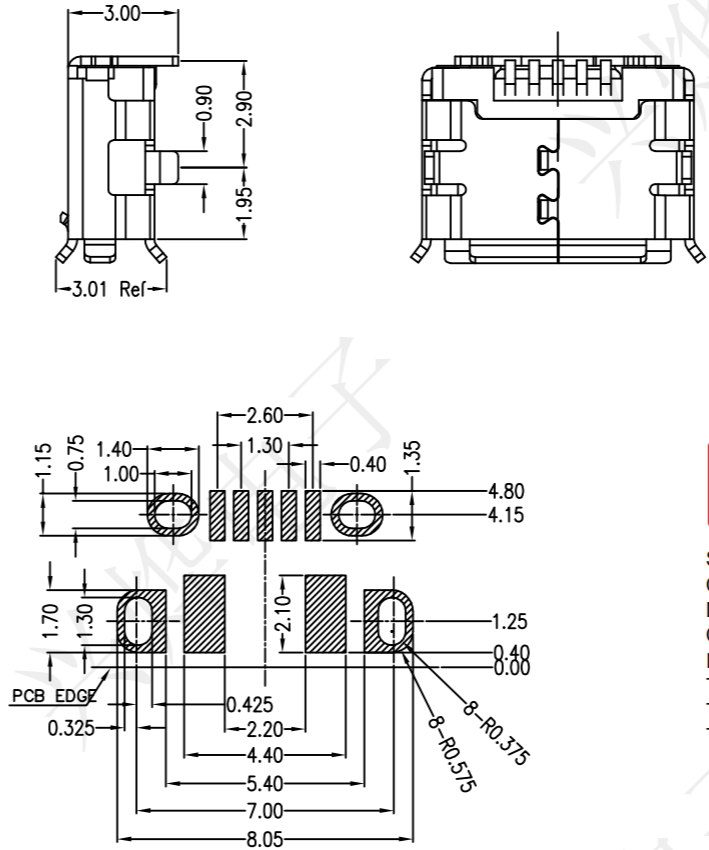
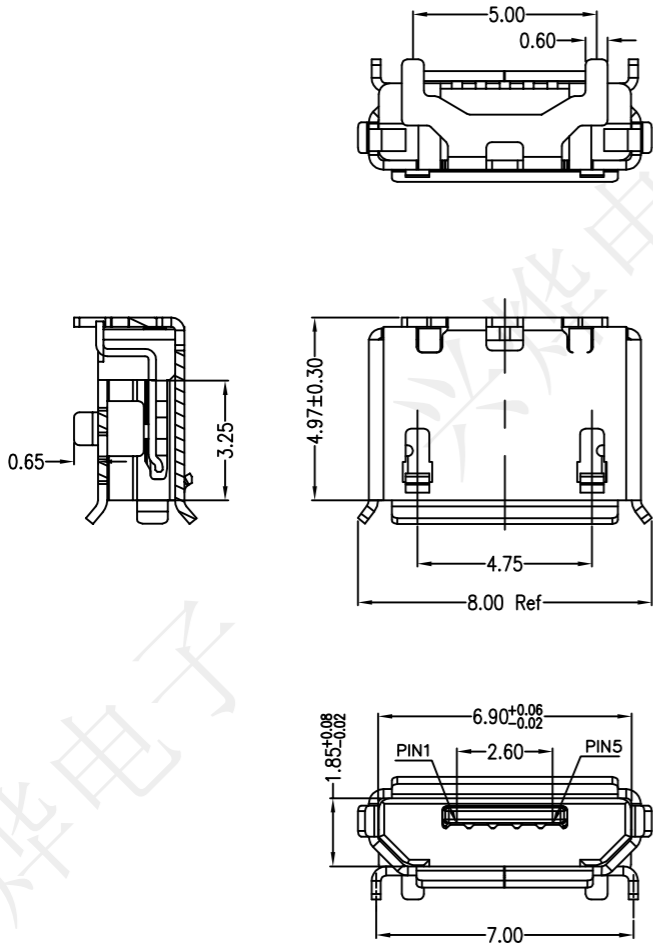


REV.	ECN NO.	DESCRIPTION	DRAW	APPD	DATE
A	---				



受控文件

Specification:  
 Current rating: 1.5PIN 1.8A Max/2,3,4PIN 1A Max.  
 Dielectric withstanding voltage: 100 V(ac) for 1 min.  
 Contact resistance: 30 mΩ Max.  
 Insulation resistance: 100 MΩ Min.  
 Total mating force: 3.57 Kgf Max.  
 Total unmating force: 1.0 Kgf Min.  
 Temperature range: -30°C~80°C

PCB图仅供参考  
 RECOMMAND PCB LAYOUT

**A 01 S B X X X X X X -629**

- ① ② ③ ④ ⑤ ⑥ ⑦ ⑧ ⑨ ⑩ ⑪

外壳材质 7:SUS304R-1/2H  
 端子电镀 01: Au1u"; 02: Au1.5u"; 03: Au3u"  
 05: Au5u"; 10: Au10u"; 15: Au15u"; 30: Au30u"  
 主体颜色 B: 黑色  
 主体材质 1: LCP  
 端子材质 4: CS191R-EH  
 外壳电镀  
 1: N50u"  
 2: T50u"  
 3: N+Au1u" (脚)  
 4: Au1u"

3	Shell	1PCS	SUS304	t=0.25mm
2	Contacts	5PCS	copper alloy	t=0.20mm
1	Housing	1PCS	LCP	UL94v-0
	Remarks			

**深圳市兴烨电子有限公司**  
 Shenzhen XingYe Electronics co., Ltd

TOLERANCE				
X.X	±0.30	X.°	±2°	APPD: 陈爱光
.XX	±0.20	.X°	±1°	CHEd: 施立敏
.XXX	±0.10	.XX°	±0.5°	DRAW: 马洪飞
UNITS	mm			

Series Name :			
Product Description : MICRO-5P TYPE牛脚全插7.0/L5.0无柱短针编带			
Part NO:		MKF26241	
	SCALE	SHEET	REV.
	1:1	1/1	A1

