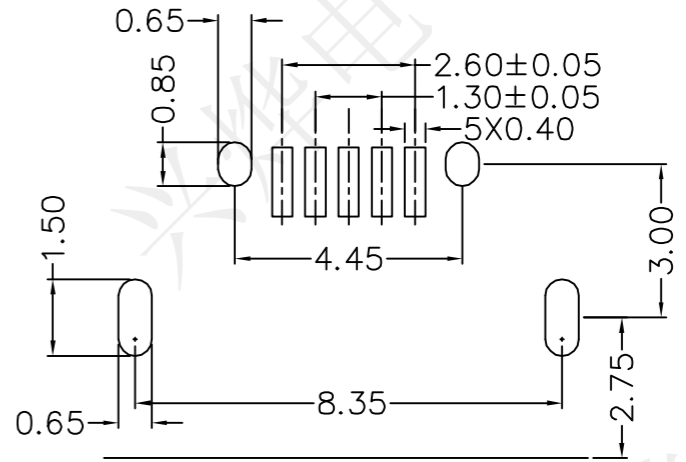
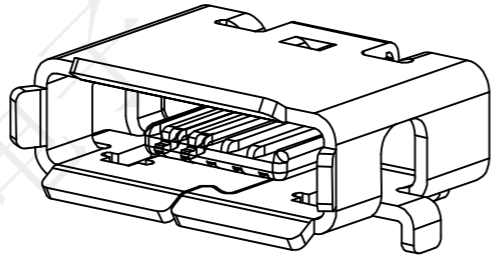
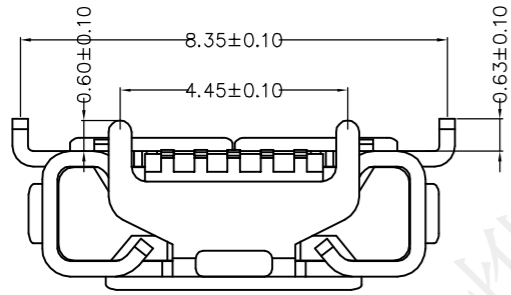
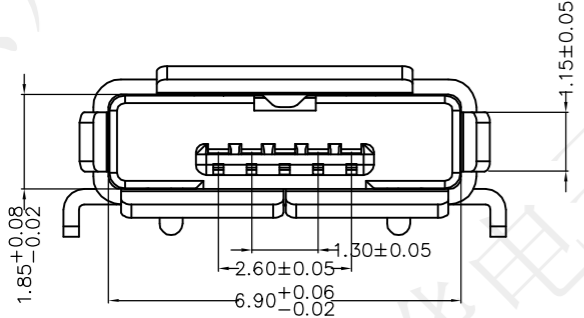
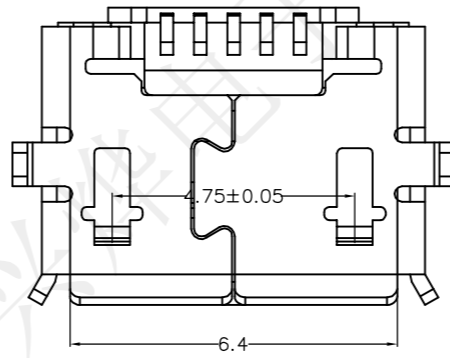
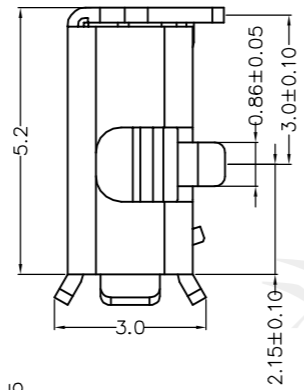
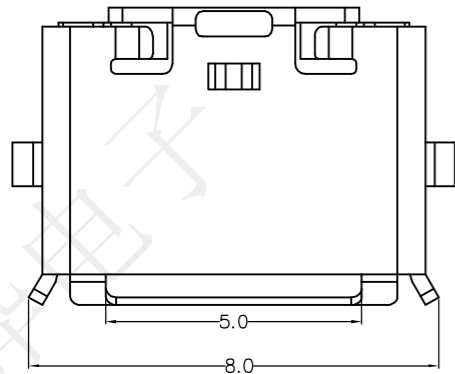


REV.	ECN NO.	DESCRIPTION	DRAW	APPD	DATE
A	---				



PCB LAYOUT

Specification:
 Current rating: 1,5PIN 1 A Max/2,3,4PIN 1A Max.
 Dielectric withstanding voltage: 100 V(ac) for 1 min.
 Contact resistance: 30 mΩ Max.
 Insulation resistance: 100 MΩ Min.
 Total mating force: 3.57 Kgf Max.
 Total unmating force: 1.0 Kgf Min.
 Temperature range: -30°C~80°C



受控文件

深圳市兴烨电子有限公司
 Shenzhen XingYe Electronics co., Ltd

Series Name :
 Product Description :
 MICRO-5P AB反向牛角内DIP卷边0.6 (8.35*4.45)

No.	Pare Name	Number	Material	Remarks
3	Shell	1PCS	copper alloy/SUS304	t=0.25mm
2	Contacts	5PCS	copper alloy	t=0.20mm
1	Housing	1PCS	LCP	UL94v-0

TOLERANCE			
X.X	±0.30	X.°	±2°
.XX	±0.20	.X°	±1°
.XXX	±0.10	.XX°	±0.5°
UNITS	mm		

Part NO: MKF26248		
SCALE: 1:1	SHEET: 1/1	REV: A1

APPD: 陈爱光
 CHED: 施立敏
 DRAW: 马洪飞