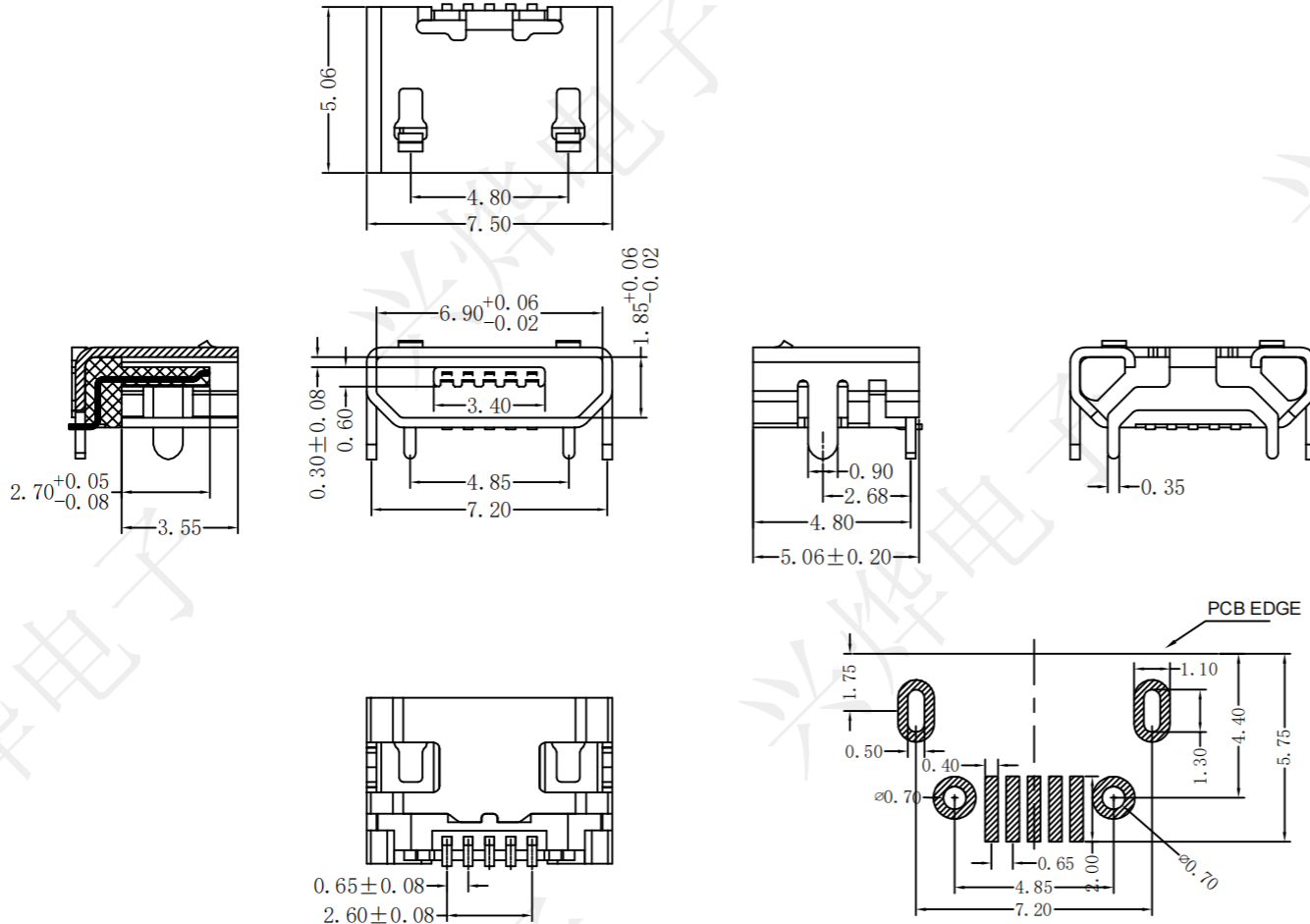


REV.	ECN NO.	DESCRIPTION	DRAW	APPD	DATE
A	---				



受控文件

Specification:
 Current rating: 1,5PIN 1.8A Max/2,3,4PIN 1A Max.
 Dielectric withstanding voltage: 100 V(ac) for 1 min.
 Contact resistance: 30 mΩ Max.
 Insulation resistance: 100 MΩ Min.
 Total mating force: 3.57 Kgf Max.
 Total unmating force: 1.0 Kgf Min.
 Temperature range: -30°C~80°C

MKF26009	MICRO-5P小牛角4.85平口铜雾锡编带
MKF26010	MICRO-5P小牛角4.85平口铜镀镍编带
MKF26011	MICRO-5P小牛角4.85平口不锈钢雾锡编带
MKF26012	MICRO-5P小牛角4.85平口不锈钢镀镍编带

PCB图仅做参考

深圳市兴烨电子有限公司
 Shenzhen XingYe Electronics co., Ltd

Series Name :
 MICRO-5P小牛角4.85平口编带

No.	Pare Name	Number	Material	Remarks
3	Shell	1PCS	copper alloy/SUS304	t=0.25mm
2	Contacts	5PCS	copper alloy	t=0.20mm
1	Housing	1PCS	LCP	UL94v-0

TOLERANCE					
X.X	±0.30	X.°	±2°	APPD:	陈爱光
.XX	±0.20	.X°	±1°	CHED:	施立敏
.XXX	±0.10	.XX°	±0.5°	DRAW:	马洪飞
UNITS	mm				

Product Description :		
Part NO:		
SCALE	SHEET	REV.
1:1	1/1	A1