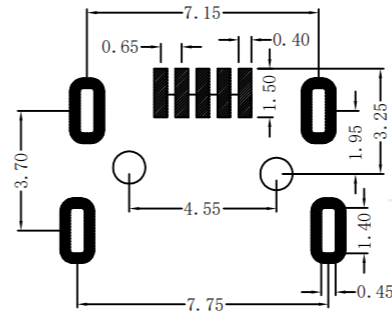
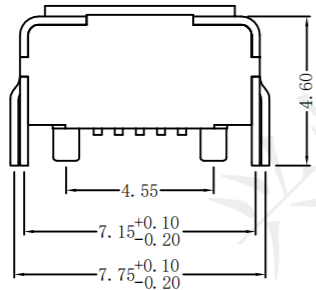
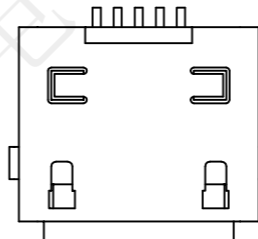
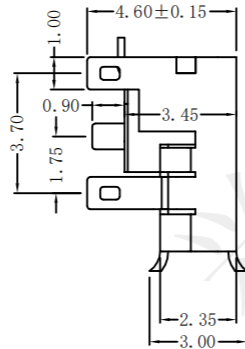
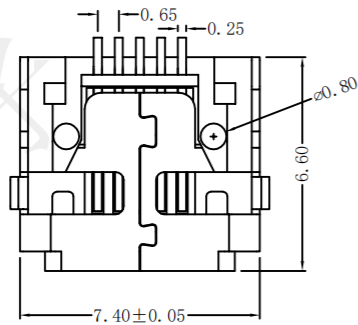


REV.	ECN NO.	DESCRIPTION	DRAW	APPD.	DATE
A	---				

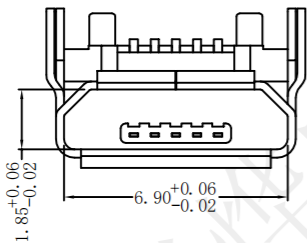


**RECOMMENDED PCB LAYOUT**  
PCB图仅供参考



**受控文件**

Specification:  
 Current rating: 1,5PIN 1.8A Max/2,3,4PIN 1A Max.  
 Dielectric withstanding voltage: 100 V(ac) for 1 min.  
 Contact resistance: 30 mΩ Max.  
 Insulation resistance: 100 MΩ Min.  
 Total mating force: 3.57 Kgf Max.  
 Total unmating force: 1.0 Kgf Min.  
 Temperature range: -30°C~80°C



		Series Name :			
		Product Name : MICRO-5P四脚垫高卷边不锈钢(MICRO34DG-JCU)			
TOLERANCE		Part N0: MKF26129			
X.X ±0.30	X.° ±2°	APPD: 陈爱光		SCALE	
.XX ±0.20	.X° ±1°	CHED: 施立敏		SHEET	
.XXX ±0.10	.XX° ±0.5°	DRAW: 马洪飞	REV.		
UNITS	mm		1:1	1/1	A1