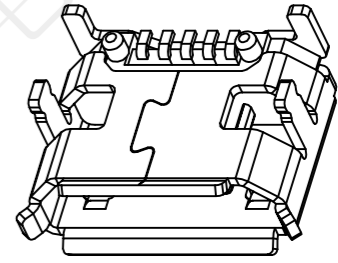
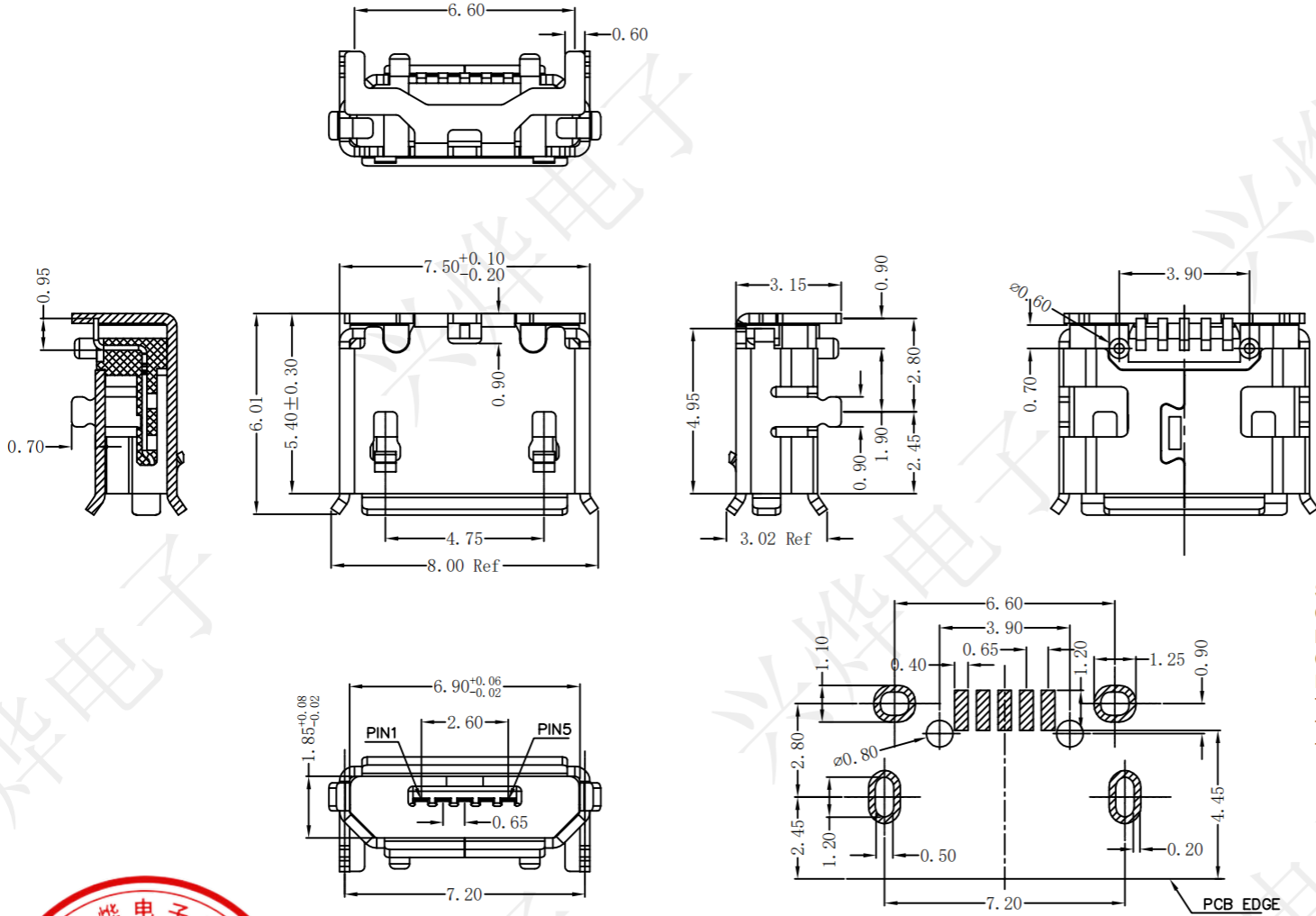


REV.	ECN NO.	DESCRIPTION	DRAW	APPD	DATE
A	---				



受控文件

Specification:
 Current rating: 1.5PIN 1.8A Max/2,3,4PIN 1A Max.
 Dielectric withstanding voltage: 100 V(ac) for 1 min.
 Contact resistance: 30 mΩ Max.
 Insulation resistance: 100 MΩ Min.
 Total mating force: 3.57 Kgf Max.
 Total unmating force: 1.0 Kgf Min.
 Temperature range: -30°C~80°C

PCB图仅做参考
 RECOMMAND PCB LAYOUT

MKF26025	MICRO-5P牛角6.6卷边铜雾锡编带
MKF26026	MICRO-5P牛角6.6卷边铜镀镍编带
MKF26027	MICRO-5P牛角6.6卷边不锈钢雾锡编带
MKF26028	MICRO-5P牛角6.6卷边不锈钢镀镍编带



深圳市兴烨电子有限公司
 Shenzhen XingYe Electronics co., Ltd

Series Name :
 MICRO-5P牛角6.6卷边编带

Product Description :

Part NO:

No.	Pare Name	Number	Material	Remarks
3	Shell	1PCS	copper alloy/SUS304	t=0.25mm
2	Contacts	5PCS	copper alloy	t=0.20mm
1	Housing	1PCS	LCP	UL94v-0

TOLERANCE					
X.X	±0.30	X.°	±2°	APPD: 陈爱光	
.XX	±0.20	.X°	±1°	CHED: 施立敏	
.XXX	±0.10	.XX°	±0.5°	DRAW: 马洪飞	
UNITS	mm				

	SCALE	SHEET	REV.
1:1	1/1	A1	