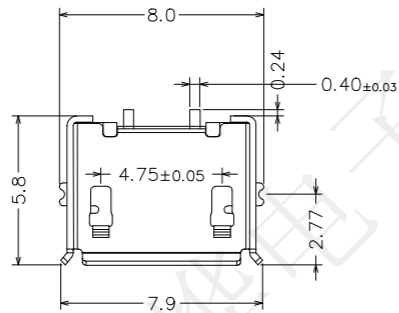


| REV. | ECN NO. | DESCRIPTION | DRAW | APPD | DATE |
|------|---------|-------------|------|------|------|
| A    | ---     |             |      |      |      |



规格说明: Specifications:

电气特性: Electrical:

1. 额定电流: Current Rating  
3.0A/contact terminal
2. 额定电压: Voltage Rating  
30V DC
3. 接触阻抗: Contact Resistance  
30 milliohms MAX
4. 耐电压: Dielectric Withstanding Voltage:  
100 V AC AT Sea Level
5. 绝缘阻抗: Insulation Resistance:  
100MEGA ohms MIN

物理性能: Mechanical:

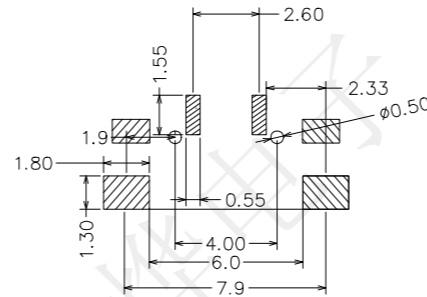
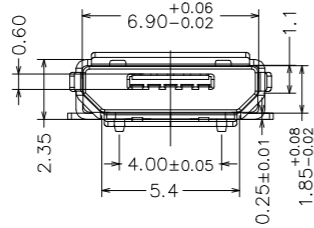
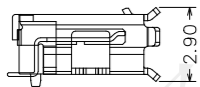
1. 插拔力: Connector Mate and Unmate Force  
Mate force: 3.57kgf (MAX)  
Unmate force: 1.02kgf (MIN)
2. 端子保持力: Terminal Retention  
0.5kgf (MIN)

原材料: Material:

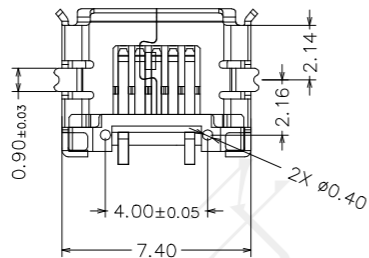
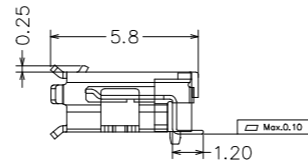
1. 塑胶 Housing:  
High Temperature Plastic,  
LCP White/Black
2. 端子: Contact: Copper Alloy C2680/c5191
3. 外壳: Shell: Copper Alloy C2680/SUS

电镀: Plating:

1. 端子: Contact: Plated Gold in Mating Area;  
Matte Tin On Solder Tails
2. 外壳: Shell:  
Plated Matte tin, Salt spray test: 24 hours



RECOMMENDED P.C.B LAYOUT (TOP VIEW)  
TOLERANCE: ±0.05



受控文件

深圳市兴烨电子有限公司  
ShenZhen XingYe Electronics co., Ltd

Series Name :

Product Description :

MICRO-2P全贴后焊带柱卷边编带

| TOLERANCE  |             |           |
|------------|-------------|-----------|
| .X.X ±0.30 | .X.° ±2°    | APPD: 陈爱光 |
| .XX ±0.20  | .X.° ±1°    | CHEd: 施立敏 |
| .XXX ±0.10 | .XX.° ±0.5° | DRAW: 马洪飞 |
| UNITS      | mm          |           |

Part NO: MKF26239



| SCALE | SHEET | REV. |
|-------|-------|------|
| 1:1   | 1/1   | A1   |