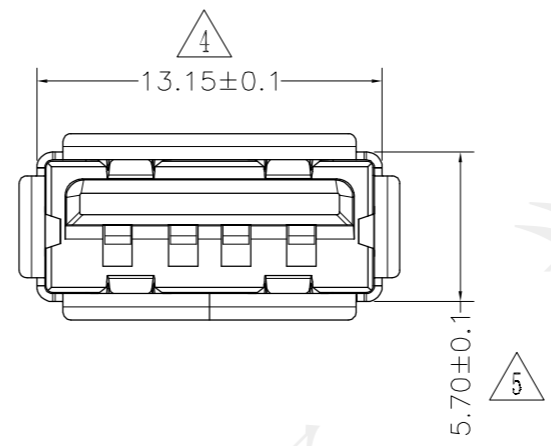
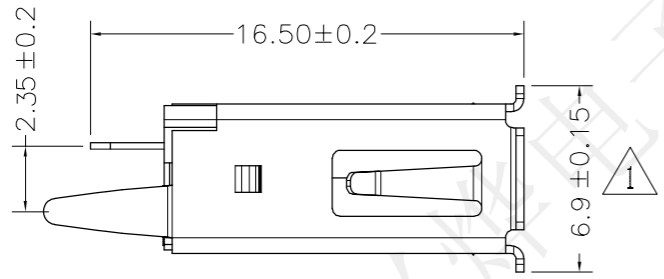
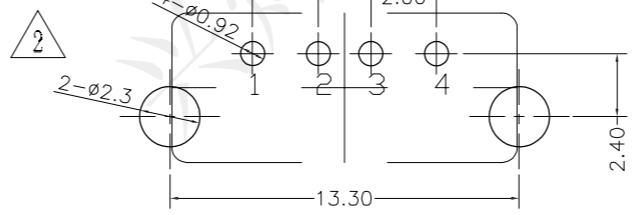
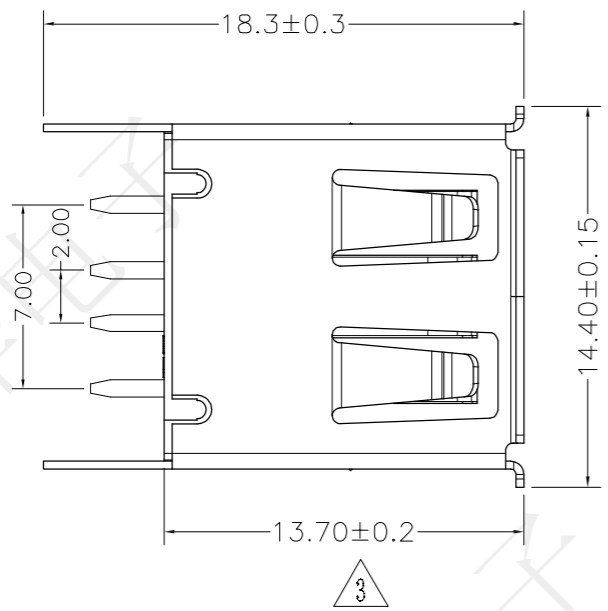


REV.	ECN NO.	DESCRIPTION	DRAW	APPD.	DATE
A	---				



受控文件

Specification:
 Current rating: DC 1.5A 30V
 Dielectric withstanding voltage: 500 V(ac) for 1 min.
 Contact resistance: 30 mΩ Max.
 Insulation resistance: 100 MΩ Min.
 Total mating force: 3.57 Kgf Max.
 Total unmating force: 1.0 Kgf Min.
 Temperature range: -30°C~80°C



PCB.LAYOUT

3	Shell	1PCS	copper alloy	t=0.3mm
2	Contacts	4PCS	copper alloy	t=0.25mm
1	Housing	1PCS	LCP	black/UL94v-0
No.	Pare Name	Number	Material	Remarks

		Series Name :								
		Product Name : AF180度13.7白胶直脚卷口铜								
TOLERANCE		Part NO:								
X.X ±0.30	X.° ±2°	APPD: 陈爱光	<table border="1"> <tr> <td>SCALE</td> <td>SHEET</td> <td>REV.</td> </tr> <tr> <td>1:1</td> <td>1/1</td> <td>A1</td> </tr> </table>		SCALE	SHEET	REV.	1:1	1/1	A1
SCALE	SHEET	REV.								
1:1	1/1	A1								
.XX ±0.20	.X° ±1°	CHED: 施立敏								
.XXX ±0.10	.XX° ±0.5°	DRAW: 马洪飞								
UNITS	mm									