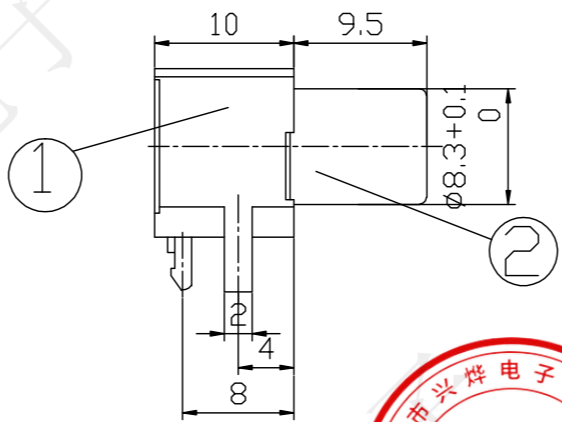
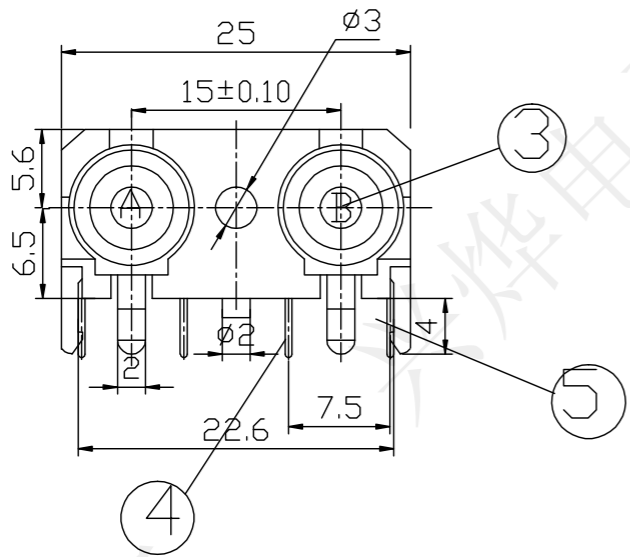


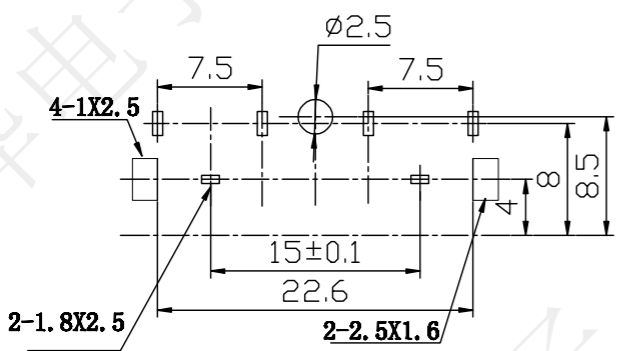
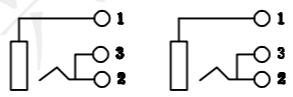
|      |         |             |      |       |      |
|------|---------|-------------|------|-------|------|
| REV. | ECN NO. | DESCRIPTION | DRAW | APPD. | DATE |
| A    | ---     |             |      |       |      |



SPECIFICATION:  
 Operating temperature: -40°C~70°C  
 Rated loading: DC 50V 0.2A  
 Contact resistance: 30mΩ Max  
 Insulation resistance: 100MΩ Min  
 Withstanding voltage: AC 500V (50Hz) /min  
 Insertion force: 3-25N  
 Pullout force: 3-25N  
 Life: 10000 CYCLES



电原理图



**受控文件**

|    |      |    |          |
|----|------|----|----------|
| 5  | 动针   | 2  | 磷铜 t=0.3 |
| 4  | 静针   | 2  | 黄铜 t=0.3 |
| 3  | 垫片籽  | 2  | ABS      |
| 2  | 铜套   | 2  | 黄铜 t=0.3 |
| 1  | 底座   | 1  | ABS      |
| 序号 | 部件名称 | 数量 | 材料       |

**深圳市兴烨电子有限公司**  
 Shenzhen XingYe Electronics co., Ltd

|            |            |           |
|------------|------------|-----------|
| TOLERANCE  |            |           |
| X.X ±0.30  | X.* ± 2*   | APPD: 陈爱光 |
| .XX ±0.20  | .X* ± 1*   | CHEd: 施立敏 |
| .XXX ±0.10 | .XX* ±0.5* | DRAW: 马洪飞 |
| UNITS      | mm         |           |

|                |                 |      |  |
|----------------|-----------------|------|--|
| Series Name :  |                 |      |  |
| Product Name : | AV2-8. 4-17A2全铜 |      |  |
| Part NO:       | AVH11004        |      |  |
| SCALE          | SHEET           | REV. |  |
| 1:1            | 1/1             | A1   |  |