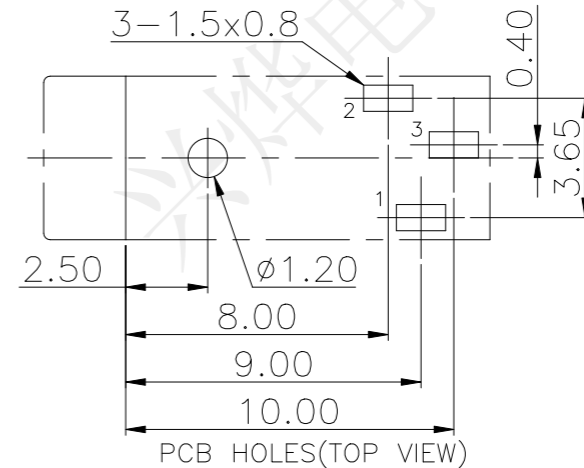
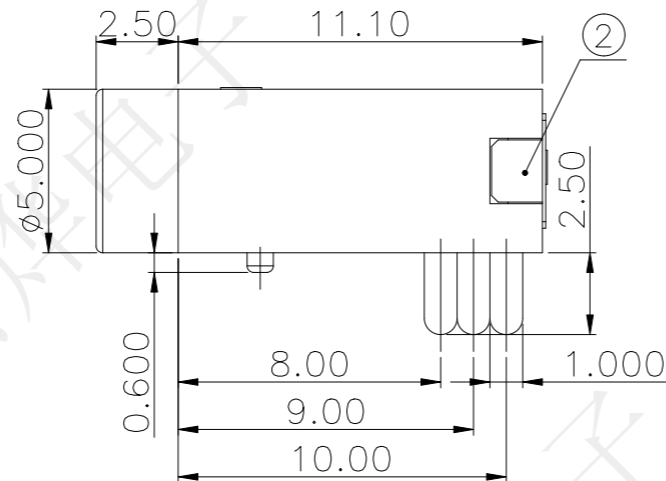
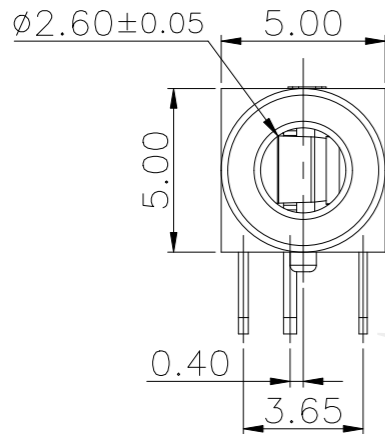
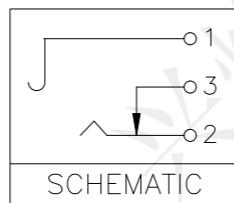
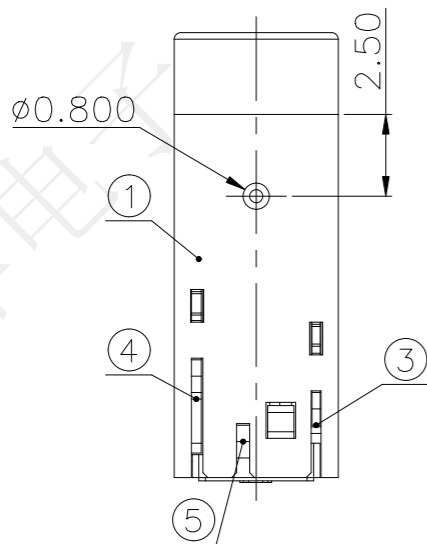


REV.	ECN NO.	DESCRIPTION	DRAW	APPD.	DATE
A	---				



GENERAL TOLERANCE: ±0.05mm



受控文件

- NOTES:
- ELECTRICAL CHARACTERS:
 - 1-1.RATING: DC 30V 0.5A;
 - 1-2.CONTACT RESISTANCE: ≤30mΩ;
 - 1-3.INSULATION RESISTANCE: ≥100MΩ DC 500V;
 - 1-4.WITHSTANDING VOLTAGE: AC 500V 1min;
 - 1-5.LIFE: 5,000 CYCLES;
 - MECHANICAL CHARACTERISTICS:
 - 2-1.INSERTION&EXTRACTION FORCE: 3~30N;
 - 2-2.OPERATING TEMPERATURE: -30°C~+70°C;

⑤	TERMINAL	3	1	BRASS t=0.4	CuSn PLATED
④	TERMINAL	2	1	BRONZE t=0.3	SnSb PLATED
③	TERMINAL	1	1	BRONZE t=0.25	SnSb PLATED
②	COVER		1	PPA	BLACK
①	HOUSING		1	PPA	BLACK
No.	PART NAME	TER'NO.	Q'TY	MATERIAL	REMARK

TOLERANCE					
X.X	±0.30	X.°	±2°	APPD: 陈爱光	
.XX	±0.20	.X°	±1°	CHED: 施立敏	
.XXX	±0.10	.XX°	±0.5°	DRAW: 马洪飞	
UNITS	mm				

Series Name :		
Product Name : PJ-212三脚插		
Part NO: PJL22113		
SCALE	SHEET	REV.
1:1	1/1	A1