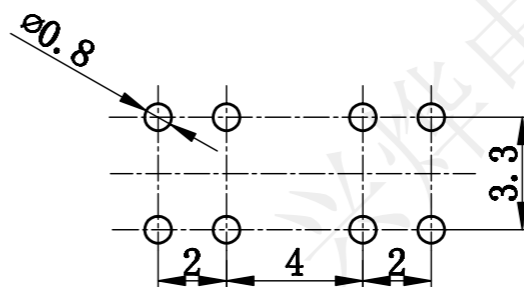
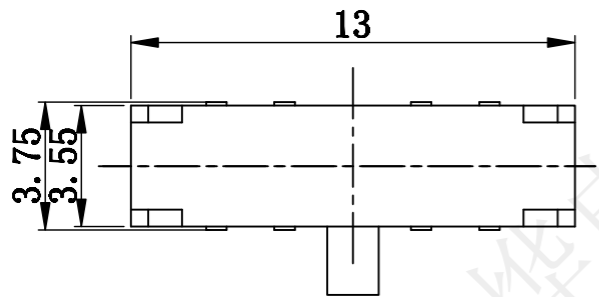
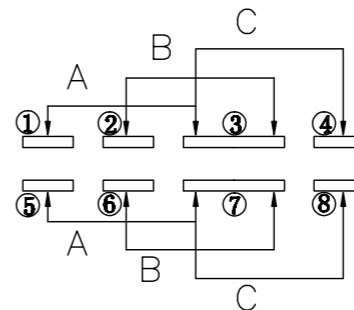
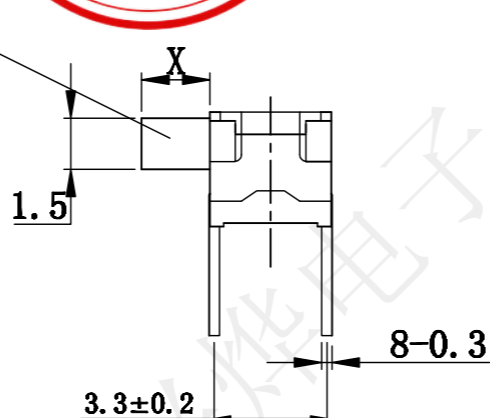
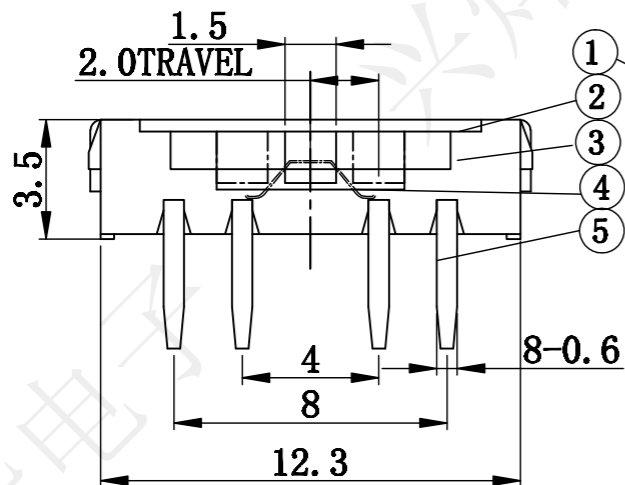


REV.	ECN NO.	DESCRIPTION	DRAW	APPD	DATE
	---				



**P.C.B LAYOUT DIMENSION**  
**TOP VIEW**



**CIRCUIT**

**SPECIFICATION:**  
 Operating temperature: -16 °C~60°C  
 Rated loading: DC 12V 0.1A  
 Contact resistance: 80mΩ Max  
 Insulation resistance: 100MΩ Min  
 Withstanding voltage: AC 500V (50-60Hz) /min  
 Electrical Life: 10000 cycles  
 Operating force: 200±80gf Max

**受控文件**

5	TERMINAL a, b&c	G2680	8	Ag
4	CONTACT	C5191	2	Ag
3	BOTTOM	PA46	1	BLACK
2	COVER	SUS	1	NATURAL
1	STEM	PA66	1	BLACK/WHITE
NO.	PARTS	MATERIAL	QTY.	FINISHING

<b>深圳市兴烨电子有限公司</b> ShenZhen Xing Ye Electronics co., Ltd		Series Name :		
		Product Name : MSK-23D19八脚卧插		
TOLERANCE		Part NO: SKL10024		
X.X ±0.30	X° ±2°	APPD: 陈爱光	SCALE SHEET REV. 1:1 1/1 A1	
.XX ±0.20	.X° ±1°	CHED: 施立敏		
.XXX ±0.10	.XX° ±0.5°	DRAW: 马洪飞		
UNITS	mm			