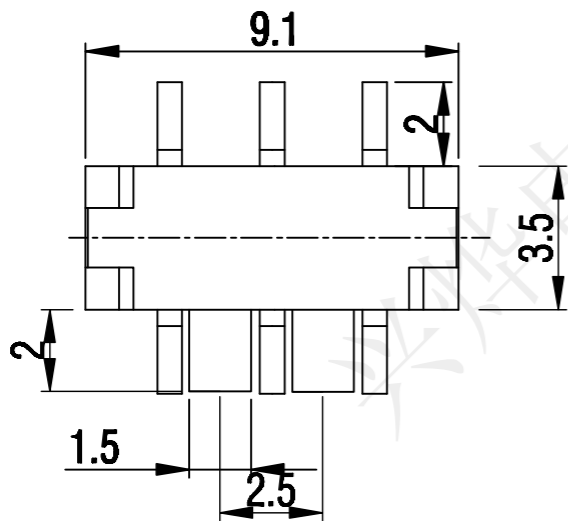
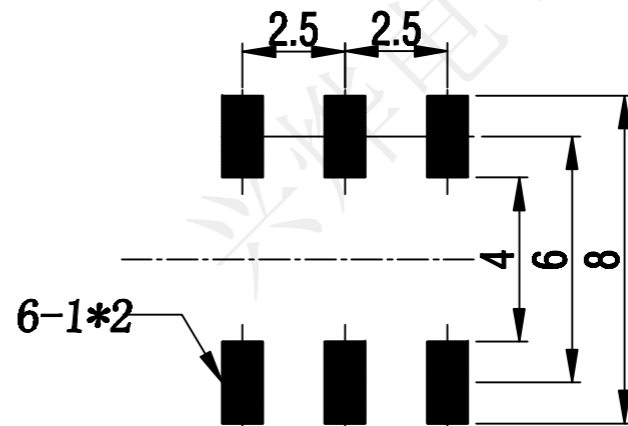


REV.	ECN NO.	DESCRIPTION	DRAW	APPD	DATE
	---				

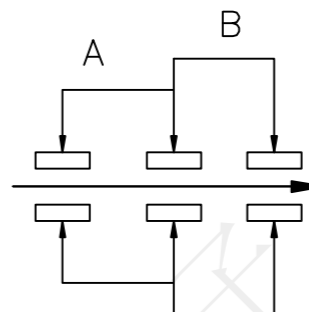
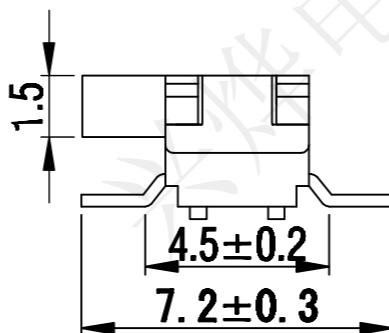
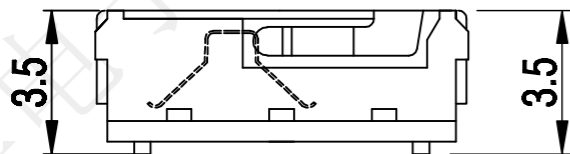


受控文件



P.C.B LAYOUT DIMENSION

TOP VIEW



CIRCUIT

SPECIFICATION:  
 Operating temperature:-16 °C~60°C  
 Rated loading:DC 50V 0.5A  
 Contact resistance:80mΩ Max  
 Insulation resistance:100MΩ Min  
 Withstanding voltage:AC 500V (50-60Hz) /min  
 Electrical Life:10000 cycles  
 Operation Force 200gf±50gf

5	CONTACT	C5210	2	Ag
4	TERMINAL a,b&c	C2680	6	Ag
3	BOTTOM	PA46	1	BLACK
2	COVER	SUS	1	NATURAL
1	STEM	PA46	1	BLACK
NO.	PARTS	MATERIAL	QTY.	FINISHING

**深圳市兴烨电子有限公司**  
 Shenzhen Xing Ye Electronics Co., Ltd

TOLERANCE  
 X.X ±0.30 X° ±2°  
 .XX ±0.20 .X° ±1°  
 .XXX ±0.10 .XX° ±0.5°  
 UNITS mm

APPD: 陈爱光  
 CHED: 施立敏  
 DRAW: 马洪飞

Series Name :		
Product Name : MSK-22D18A-H2.0六脚卧贴侧拨		
Part NO: SKL20019		
SCALE	SHEET	REV.
1:1	1/1	A1