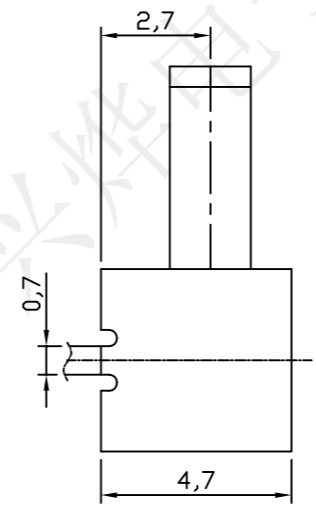
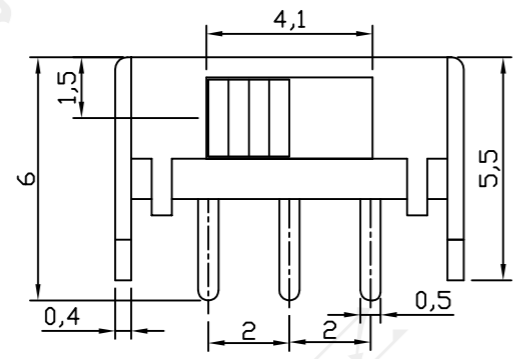
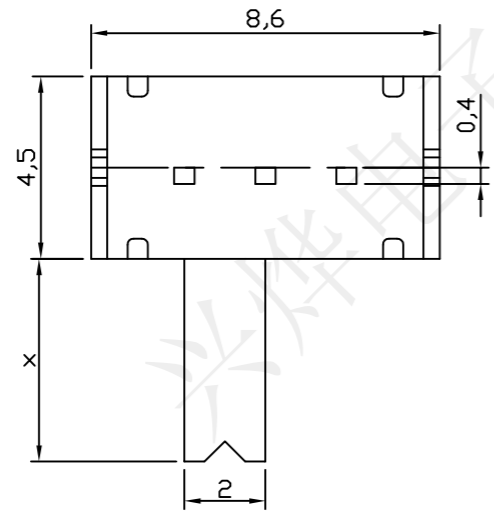


REV.	ECN NO.	DESCRIPTION	DRAW	APPD.	DATE
A	---				



SPECIFICATION:
 Operating temperature: $-10^{\circ}\text{C} \sim 60^{\circ}\text{C}$
 Rated loading: DC 50V 0.3A
 Contact resistance: $50\text{m}\Omega$ Max
 Insulation resistance: $100\text{M}\Omega$ Min
 Withstanding voltage: AC 250V 50Hz/min
 Electrical Life: 5000 cycles
 Operating force: $250 \pm 40\text{gf}$ Max

受控文件

 深圳市兴烨电子有限公司 ShenZhen XingYe Electronics co., Ltd		Series Name :								
		Product Description : SK-12D07VG5耐温柄								
TOLERANCE		Part NO: SKQ10032								
X.X	± 0.30	X. $^{\circ}$	$\pm 2^{\circ}$	APPD: 陈爱光						
.XX	± 0.20	.X $^{\circ}$	$\pm 1^{\circ}$	CHED: 施立敏						
.XXX	± 0.10	.XX $^{\circ}$	$\pm 0.5^{\circ}$	DRAW: 马洪飞						
UNITS	mm	 <table border="1" style="display: inline-table;"> <tr> <td>SCALE</td> <td>SHEET</td> <td>REV.</td> </tr> <tr> <td>1:1</td> <td>1/1</td> <td>A1</td> </tr> </table>			SCALE	SHEET	REV.	1:1	1/1	A1
SCALE	SHEET	REV.								
1:1	1/1	A1								