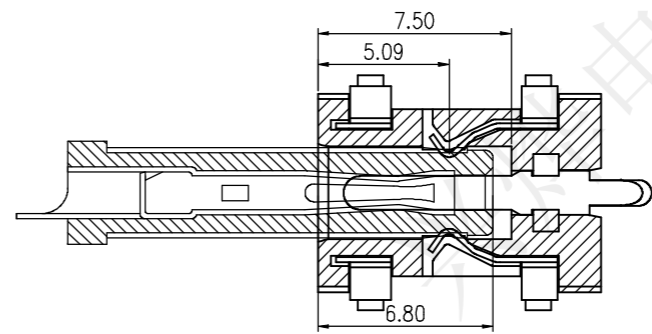
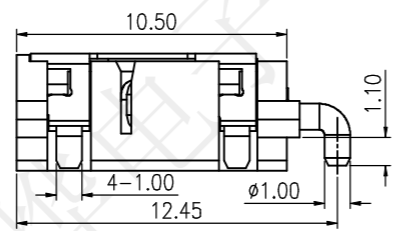
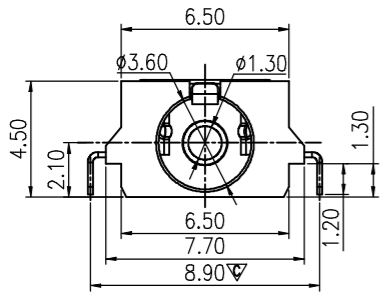
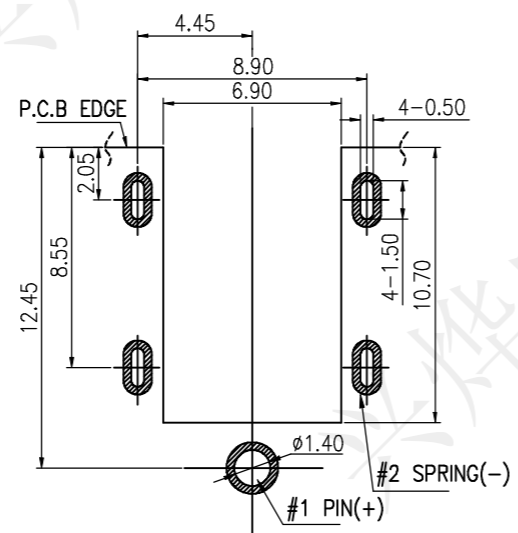
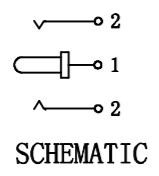
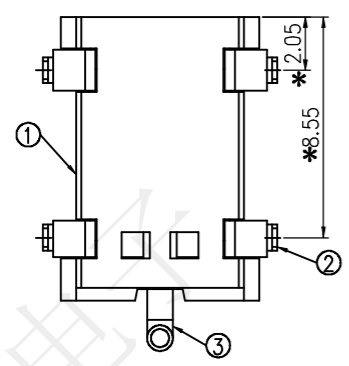


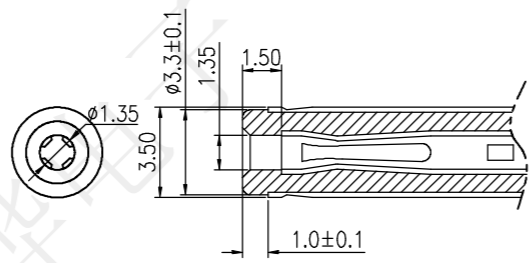
REV.	ECN NO.	DESCRIPTION	DRAW	APPD.	DATE
^	---				



DC JACK INSERT DEPTH



P. C. B LAYOUT TOP VIEW



MATE PLUG

受控文件



SPECIFICATION:
 Operating temperature: -30°C ~ 70°C
 Rated loading: DC 30V 3.0A
 Contact resistance: 30mΩ Max
 Insulation resistance: 100MΩ Min
 Withstanding voltage: AC 250V (50Hz) /min
 Insertion force: 3-20N
 Pullout force: 3-20N
 Life: 5000 CYCLES

3	圆针	1	黄铜		镀金
2	盖脚	1	磷铜	0.25T	镀金
1	底座	1	PPA(黑色)		
序号	产品名称	数量	材料	规格	电镀

深圳市兴烨电子有限公司
 Shenzhen XingYe Electronics co., Ltd

TOLERANCE		
X.X ±0.30	X.* ± 2*	APPD: 陈爱光
.XX ±0.20	.X* ± 1*	CHED: 施立敏
.XXX ±0.10	.XX* ±0.5*	DRAW: 马洪飞
UNITS	mm	

Series Name:		
Product Name: DC-058-1.3针		
Part NO: DCL29026		
SCALE	SHEET	REV.
1:1	1/1	A1