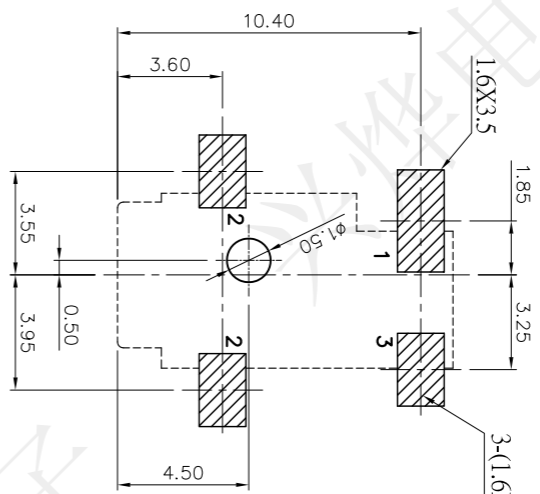
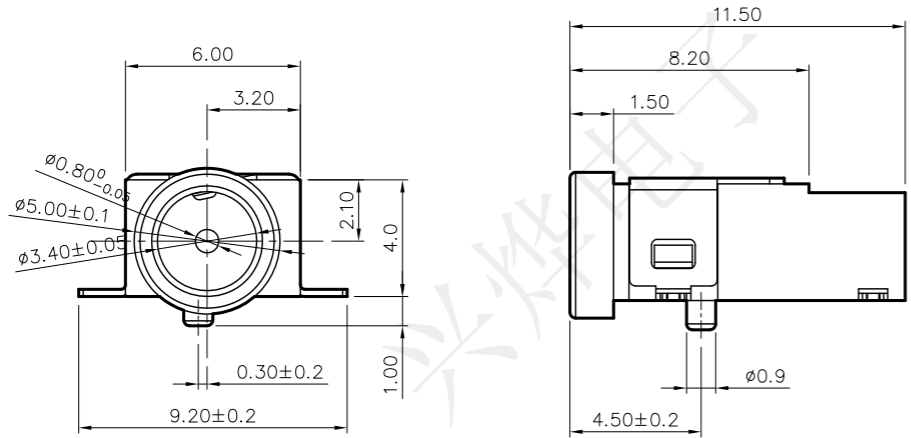
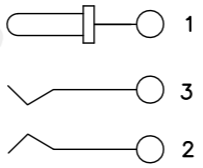
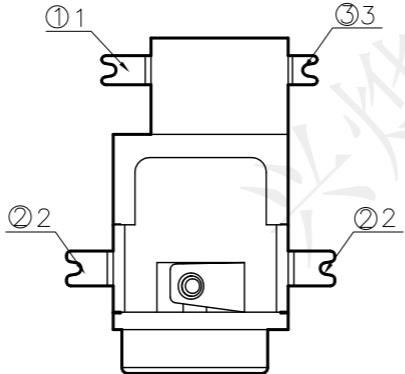
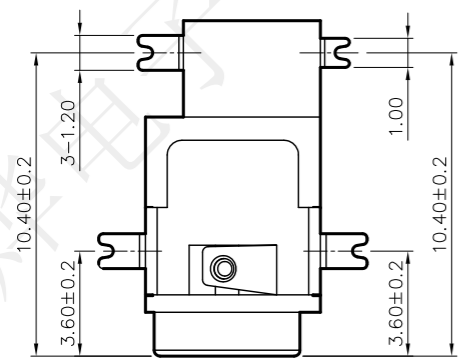


REV.	ECN NO.	DESCRIPTION	DRAW	APPD.	DATE
A	---				



RECOMMEND PCB LAYOUT
TOLERANCE: ±0.05
TOP VIEW



CIRCUIT DIAGRAM



SPECIFICATION:
Operating temperature:-40℃~55℃
Rated loading:DC 30V 3A
Contact resistance:30mΩ Max
Insulation resistance:100MΩ Min
Withstanding voltage:AC 500V (50Hz) /min
Insertion force:3-25N
Pullout force:3-25N
Life: 5000 CYCLES

序号	名称	数量	材料	备注
4	弹片-2#	1	磷铜 T=0.2mm	镀金
3	插片-3#	1	磷铜 T=0.2mm	镀金
2	PIN -1#	1	磷铜 T=0.2mm	镀金
1	基座	1	PA9T(黑色)	

受控文件

深圳市兴烨电子有限公司
ShenZhen XingYe Electronics co., Ltd

TOLERANCE		
X.X ±0.30	X.* ± 2*	APPD: 陈爱光
.XX ±0.20	.X* ± 1*	CHEd: 施立敏
.XXX ±0.10	.XX* ±0.5*	DRAW: 马洪飞
UNITS	mm	

Series Name :		
Product Name :	DC-085	
Part NO:	DCF29023	
SCALE	SHEET	REV.
1:1	1/1	A1