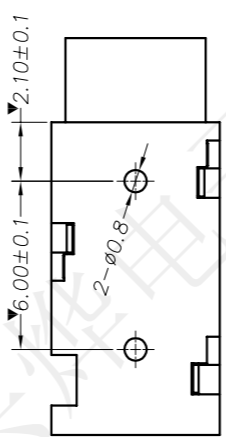
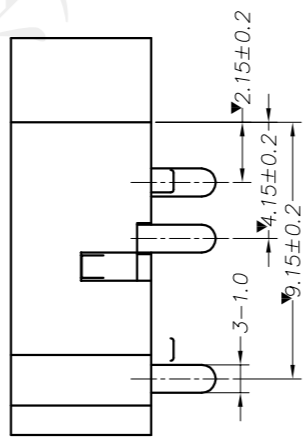
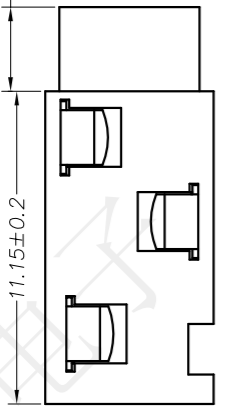
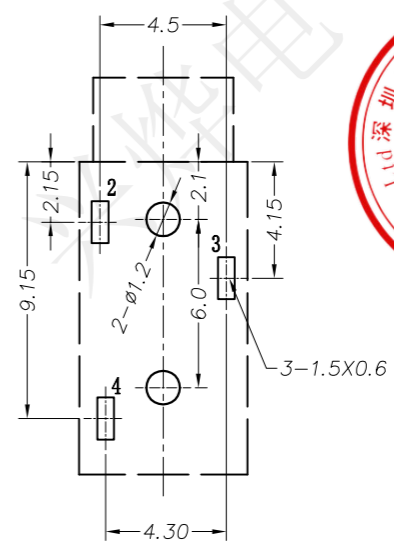
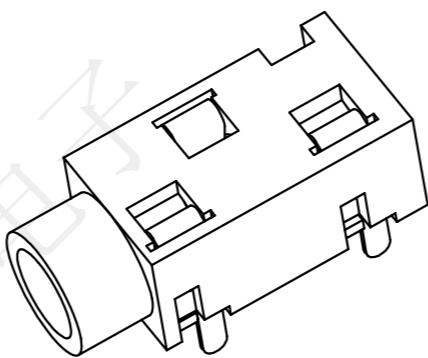
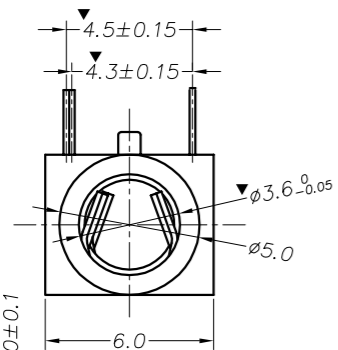


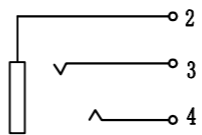
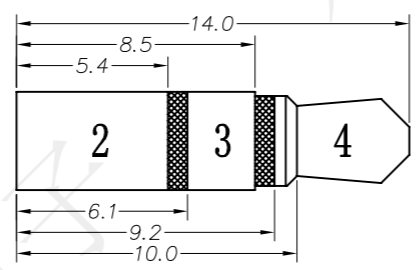
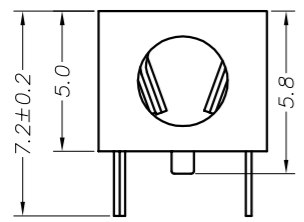
REV.	ECN NO.	DESCRIPTION	DRAW	APPD.	DATE
A	---				



受控文件

SPECIFICATION:
 Operating temperature: -30 °C~70 °C
 Rated loading: DC 30V 0.5A
 Contact resistance: 30mΩ Max
 Insulation resistance: 100MΩ Min
 Withstanding voltage: AC 500V (50Hz) /min
 Insertion force: 3-20N
 Pullout force: 3-20N
 Life: 5000 CYCLES

P.C.B LAYOUT TOP VIEW



2	PJ-320-02	弹片	3	磷铜	0.25T	镀银
1	PJ-320-01	底座	1	PPA		黑色
序号	产品编号	产品名称	数量	材料	规格	电镀

		Series Name :
		Product Name : PJ-320 三脚插
TOLERANCE		Part NO: PJL12022
X.X ±0.30	X.° ±2°	APPD: 陈爱光
.XX ±0.20	.X° ±1°	CHED: 施立敏
.XXX ±0.10	.XX° ±0.5°	DRAW: 马洪飞
UNITS	mm	

SCALE	SHEET	REV.
1:1	1/1	A1