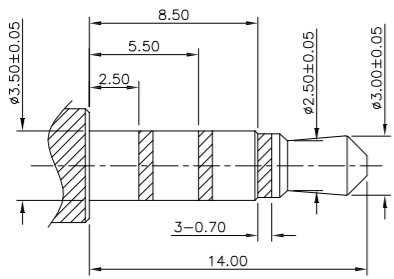
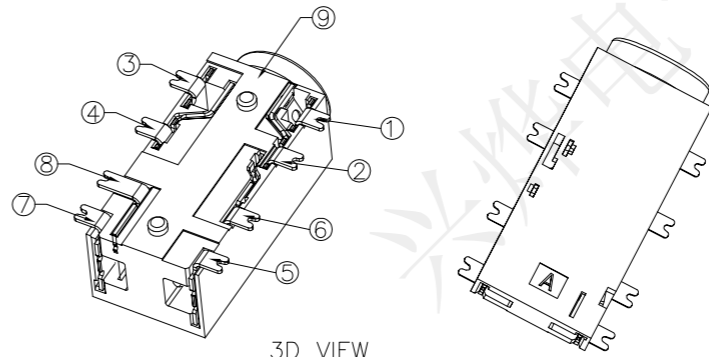
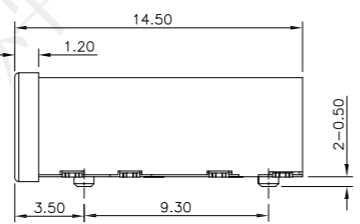
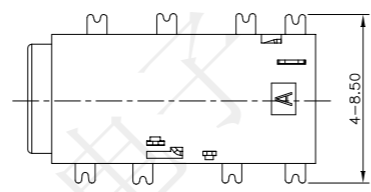
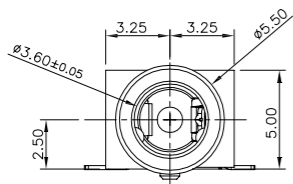


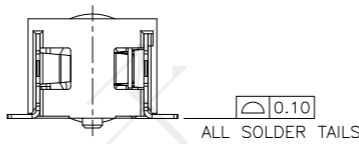
REV.	ECN NO.	DESCRIPTION	DRAW	APPD.	DATE
A	---				



(ø3.50mm 4 POLE PLUG DETAIL DRAWING)

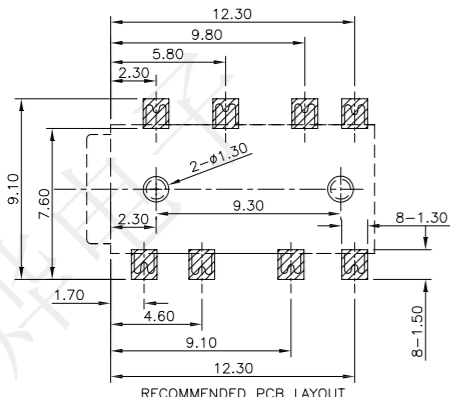


3D VIEW

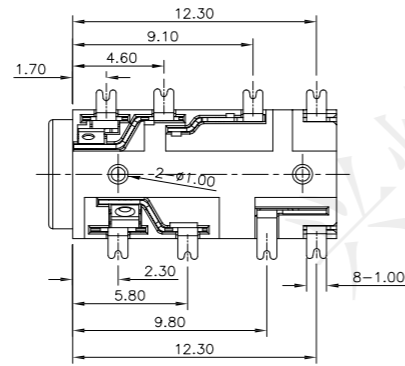


SPECIFICATION:
 Operating temperature:-16℃~65℃
 Rated loading:DC 30V 0.3A
 Contact resistance:50mΩ Max
 Insulation resistance:100MΩ Min
 Withstanding voltage:AC 500V (50Hz) /min
 Insertion force:3-30N
 Pullout force:3-30N
 Life: 5000 CYCLES

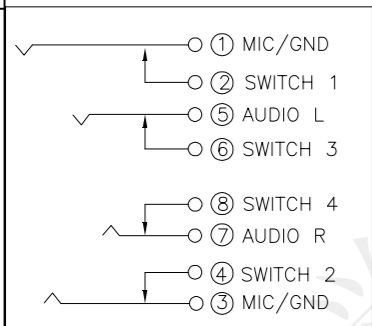
受控文件



RECOMMENDED PCB LAYOUT
TOP VIEW TOL:±0.05



SCHEMATIC



09	HOUSING	1 PCS	HIGH TEMPERATURE PLASTIC	BLACK COLOP
08	CONTACT G	1 PCS	PHOSPHOR BRONZE T=0.20	Au Plated
07	CONTACT G	1 PCS	STAINLESS STEEL, T=0.20	Au Plated
06	CONTACT F	1 PCS	PHOSPHOR BRONZE T=0.20	Au Plated
05	CONTACT E	1 PCS	STAINLESS STEEL, T=0.20	Au Plated
04	CONTACT D	1 PCS	PHOSPHOR BRONZE T=0.20	Au Plated
03	CONTACT C	1 PCS	PHOSPHOR BRONZE T=0.20	Au Plated
02	CONTACT B	1 PCS	PHOSPHOR BRONZE T=0.20	Au Plated
01	CONTACT A	1 PCS	PHOSPHOR BRONZE T=0.20	Au Plated
ITEM	PART NAME	Q'TY	MATERIAL	DESCRIPTION

		Series Name :	
		Product Name : PJ-3594A-8P有头贴片带柱	
TOLERANCE		Part NO: PJJ22052	
X.X ±0.30	X° ±2°	APPD: 陈爱光	SCALE SHEET REV. 1:1 1/1 A1
.XX ±0.20	.X° ±1°	CHED: 施立敏	
.XXX ±0.10	.XX° ±0.5°	DRAW: 马洪飞	
UNITS	mm		