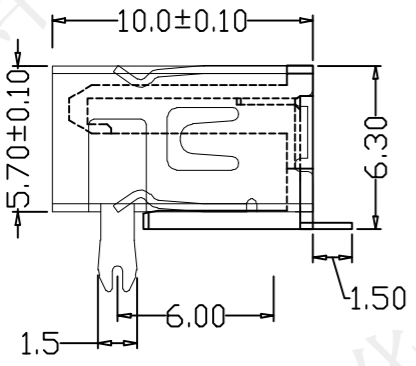
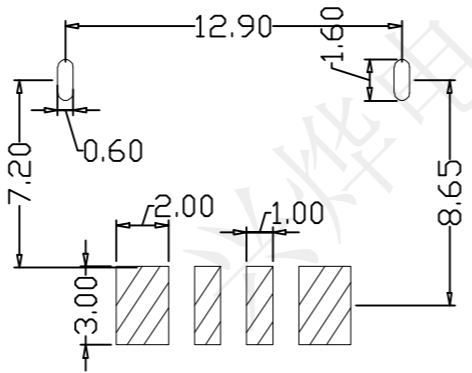
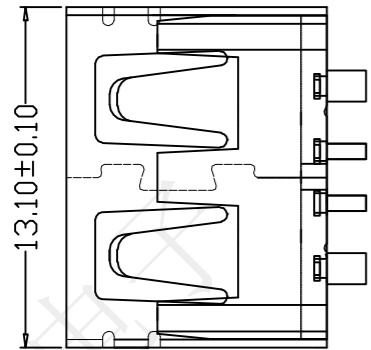
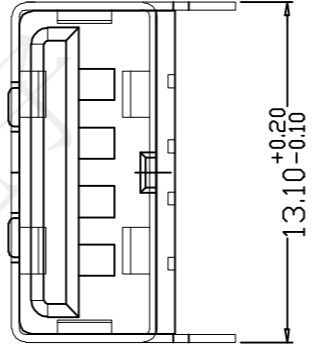
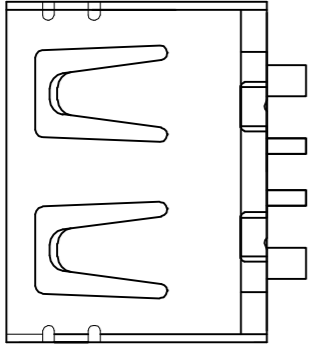


REV.	ECN NO.	DESCRIPTION	DRAW	APPD.	DATE
A	---				



Specification:
 Current rating: DC 3.0A 30V
 Dielectric withstanding voltage: 500 V(ac) for 1 min.
 Contact resistance: 30 mΩ Max.
 Insulation resistance: 100 MΩ Min.
 Total mating force: 3.57 Kgf Max.
 Total unmating force: 1.0 Kgf Min.
 Temperature range: -30°C~80°C

受控文件

3	Shell	1PCS	copper alloy	t=0.3mm
2	Contacts	4PCS	copper alloy	t=0.25mm
1	Housing	1PCS	LCP	black/UL94v-0
No.	Pare Name	Number	Material	Remarks

 深圳市兴烨电子有限公司 ShenZhen XingYe Electronics co., Ltd		Series Name :		
		Product Description :		
TOLERANCE		AF90度短体10.0前两脚插后贴平口铁黑胶H6. 3过3A		
X.X ±0.30	X.° ±2°	APPD: 陈爱光		
.XX ±0.20	.X° ±1°	CHED: 施立敏		
.XXX ±0.10	.XX° ±0.5°	DRAW: 马洪飞		
UNITS	mm	Part NO: USBG48081		
			SCALE	SHEET
			1:1	1/1
			REV.	A1