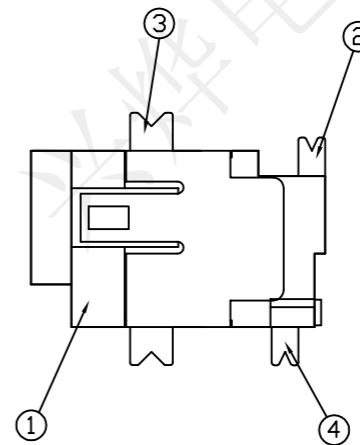
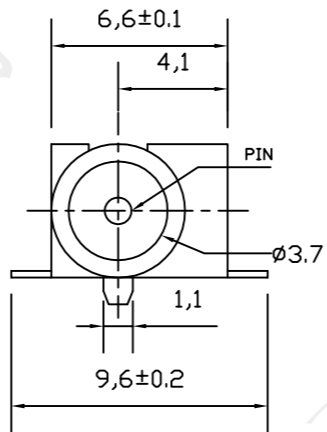
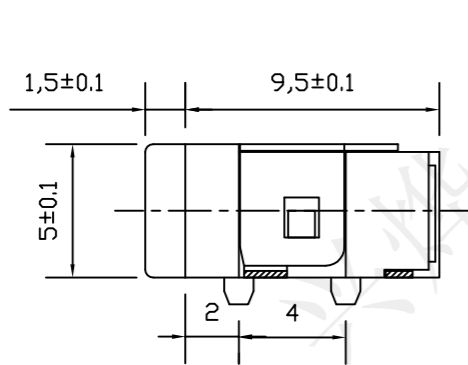


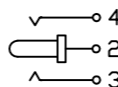
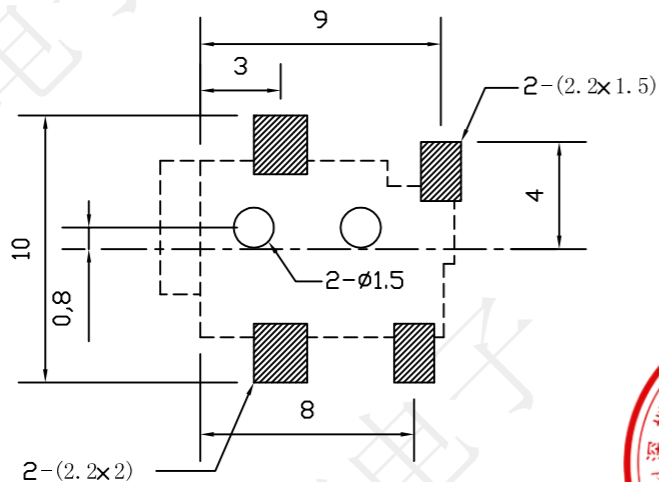
受控文件

REV.	ECN NO.	DESCRIPTION	DRAW	APPD.	DATE
A	---				



P. C. B LAYOUT TOP VIEW

PIN	ø1.0	ø1.3
-----	------	------



SPECIFICATION:

Operating temperature: -40°C~55°C
 Rated loading: DC 30V 0.5A
 Contact resistance: 30mΩ Max
 Insulation resistance: 100MΩ Min
 Withstanding voltage: AC 500V (50Hz) /min
 Insertion force: 3-20N
 Pullout force: 3-20N
 Life: 5000 CYCLES

1#基座	PPA	1	
2#端子	磷铜	1	镀银
3#端子	磷铜	1	镀银
4#端子	磷铜	1	镀银
零件名称	材料	数量	备注



深圳市兴烨电子有限公司
 Shenzhen XingYe Electronics co., Ltd

TOLERANCE		
X.X ±0.30	X.* ± 2*	APPD: 陈爱光
.XX ±0.20	.X* ± 1*	CHEd: 施立敏
.XXX ±0.10	.XX* ±0.5*	DRAW: 马洪飞
UNITS	mm	

Series Name :		
Product Name : DC-031A-1.3编带		
Part NO: DCS19012		
SCALE	SHEET	REV.
1:1	1/1	A1