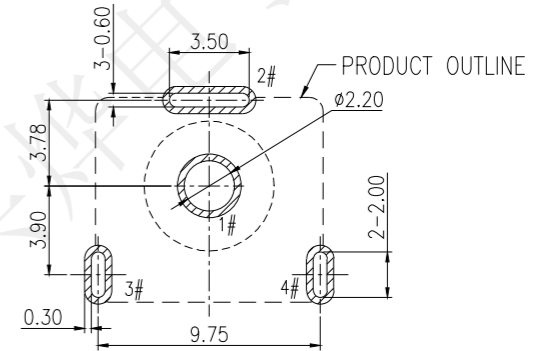
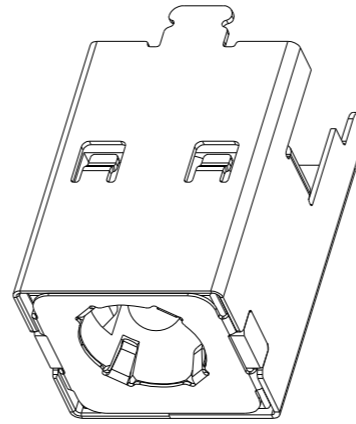
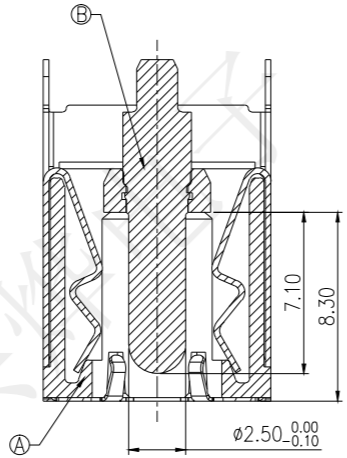
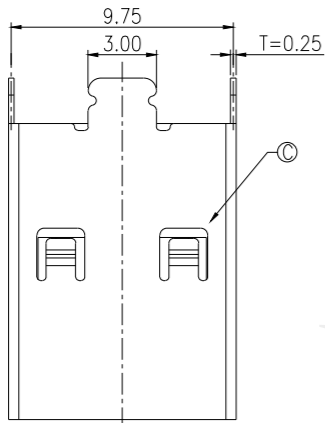
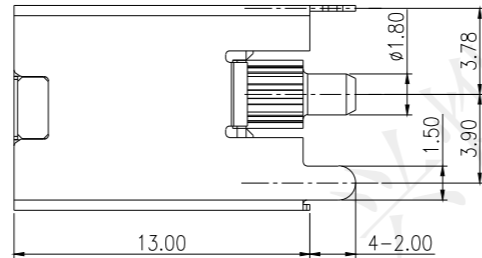
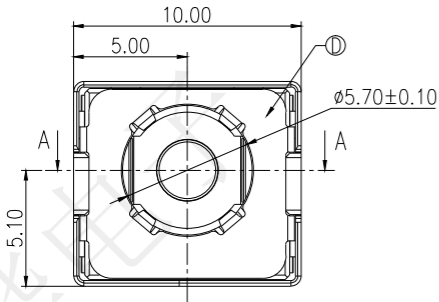


REV.	ECN NO.	DESCRIPTION	DRAW	APPD.	DATE
A	---				



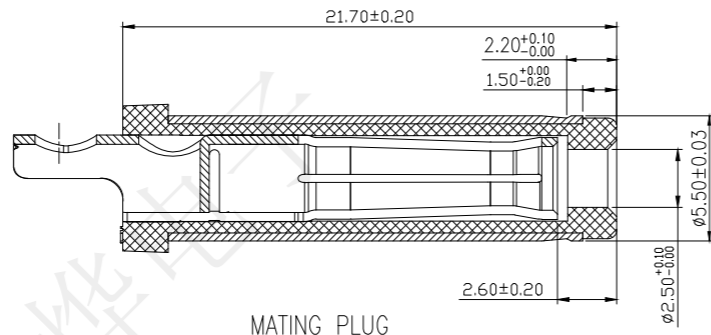
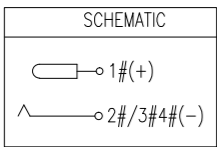
RECOMMENDED PCB LAYOUT
TOP VIEW TOLERANCE: ± 0.05

SECTION A-A



受控文件

SPECIFICATION:
 Operating temperature: $-40^{\circ}\text{C} \sim 55^{\circ}\text{C}$
 Rated loading: DC 20V 20A
 Contact resistance: 30m Ω Max (INITIAL)
 50m Ω Max (FINAL)
 Insulation resistance: 100M Ω Min
 Withstanding voltage: AC 500V (50Hz) /min
 Insertion force: 3-30N
 Pullout force: 3-30N
 Life: 5000 CYCLES

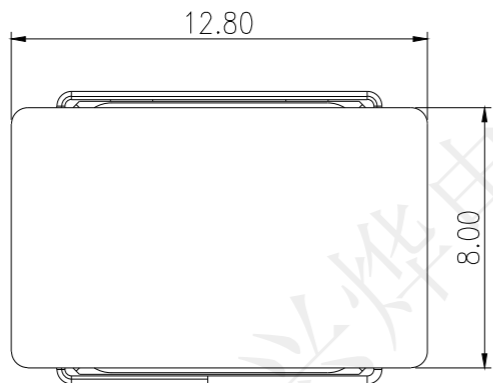


MATING PLUG

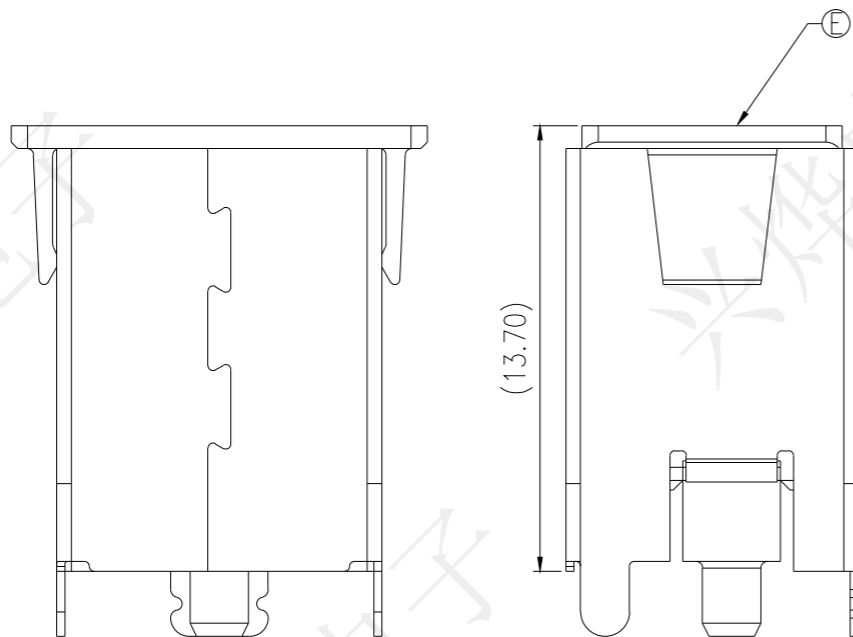
NO.	DESCRIPTION	MATERIAL	REMARKS	QTY
E	HOUSING	HIGH TEMP.THERMOPLASTIC	BLACK	
D	GROUND	SUS 304		1
C	SHELL	COPPER ALLOY	Ni 40u" MIN.	1
B	CENTER PIN	BRASS	GOLD FLASH/Ni 40u" MIN.	1
A	HOUSING	HIGH TEMP.THERMOPLASTIC	BLACK	1

		Series Name :	
		Product Name : DC-1392立式H13.0 针2.2	
TOLERANCE		Part NO: DCL19088	
X.X ± 0.30	X.* $\pm 2^*$	APPD: 陈爱光	SCALE SHEET REV. 1:1 1/1 A1
.XX ± 0.20	.X* $\pm 1^*$	CHEd: 施立敏	
.XXX ± 0.10	.XX* $\pm 0.5^*$	DRAW: 马洪飞	
UNITS	mm		

REV.	ECN NO.	DESCRIPTION	DRAW	APPD.	DATE
A	---				



WITH CAP



受控文件

深圳市兴烨电子有限公司 ShenZhen XingYe Electronics co., Ltd		Series Name :	
TOLERANCE X.X ±0.30 X.* ± 2* .XX ±0.20 .X.* ± 1* .XXX ±0.10 .XX.* ±0.5* UNITS mm		Product Name : DC-1392立式H13.0 针2.2	
APPD: 陈爱光 CHED: 施立敏 DRAW: 马洪飞		Part NO: DCL19088	
		SCALE 1:1	SHEET 1/1
		REV. A1	