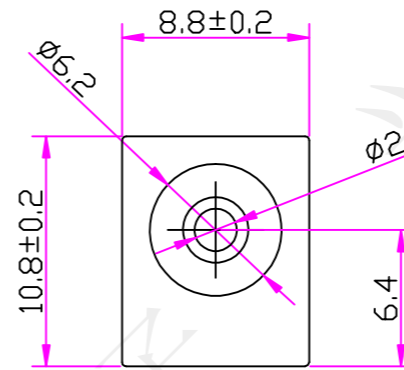
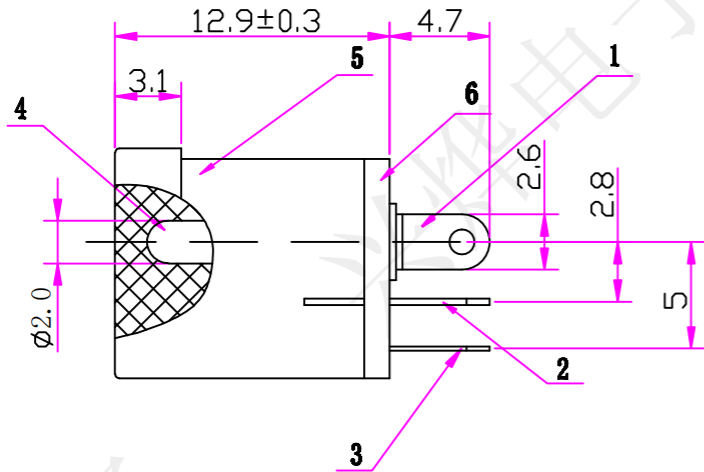


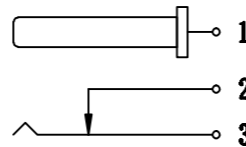
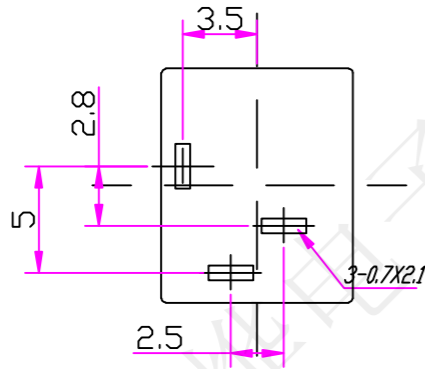
REV.	ECN NO.	DESCRIPTION	DRAW	APPD.	DATE
A	---				



受控文件

SPECIFICATION:
 Operating temperature: -40°C~55°C
 Rated loading: DC 30V 0.5A
 Contact resistance: 30mΩ Max
 Insulation resistance: 100MΩ Min
 Withstanding voltage: AC 500V (50Hz) /min
 Insertion force: 3-20N
 Pullout force: 3-20N
 Life: 5000 CYCLES

P-C-B



6	DC-012-06	后盖	1	纸胶板		
5	DC-012-05	底座	1	PA		
4	DC-012-04	圆针	1	H65	ø2.0	Sn, Sb
3	DC-012-03	弹片	1	65Mn	0.25	Sn, Sb
2	DC-012-02	弯片	1	Fe	0.35	Sn, Sb
1	DC-012-01	平片	1	Fe	0.35	Sn, Sb
序号	产品编号	产品名称	数量	材料	规格	电镀

		Series Name :	
		Product Name : DC-012-2.0半铜	
TOLERANCE		Part NO: DCH19010	
X.X ±0.30	X.* ± 2*	APPD: 陈爱光	SCALE SHEET REV. 1:1 1/1 A1
.XX ±0.20	.X* ± 1*	CHEd: 施立敏	
.XXX ±0.10	.XX* ±0.5*	DRAW: 马洪飞	
UNITS	mm		