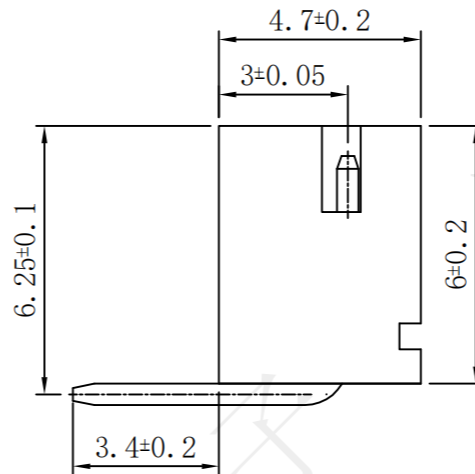
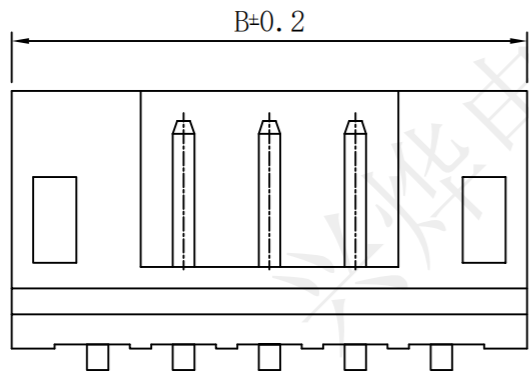
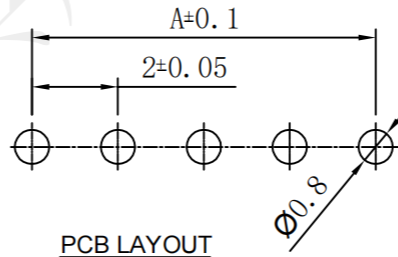
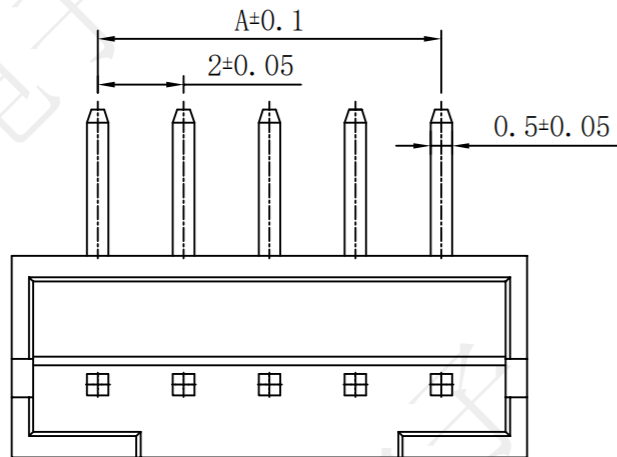


REV.	ECN NO.	DESCRIPTION	DRAW	APPD.	DATE
A	---				



Operating temperature: -25 °C~85 °C  
 Rated loading: 2A 250V AC, DC  
 Contact resistance: 10mΩ Max  
 Insulation resistance: 1000MΩ Min  
 Withstanding voltage: AC 800V (50HZ)/min  
 Material: PA9T  
 PIN Brass Tin-plated



**受控文件**

PIN数	料号	尺寸	
		A	B
2P	CZB15065	2.00	6.00
3P	CZB15066	4.00	8.00
4P	CZB15067	6.00	10.00
5P	CZB15068	8.00	12.00
6P	CZB15069	10.00	14.00
7P	CZB15070	12.00	16.00
8P	CZB15071	14.00	18.00
9P	CZB15072	16.00	20.00
10P	CZB15073	18.00	22.00
11P	CZB15074	20.00	24.00
12P	CZB15075	22.00	26.00
13P	CZB15076	24.00	28.00
14P	CZB15077	26.00	30.00
15P	CZB15078	28.00	32.00

**深圳市兴烨电子有限公司**  
 ShenZhen XingYe Electronics co., Ltd

TOLERANCE		
.XX ±0.30	X.° ±2°	APPD: 陈爱光
.XX ±0.20	.X° ±1°	CHEd: 施立敏
.XXX ±0.10	XX° ±0.5°	DRAW: 马洪飞
UNITS	mm	

Series Name : PH-nAW米黄色耐高温

Product Name :

Part NO:

	SCALE	SHEET	REV.
	1:1	1/1	A1