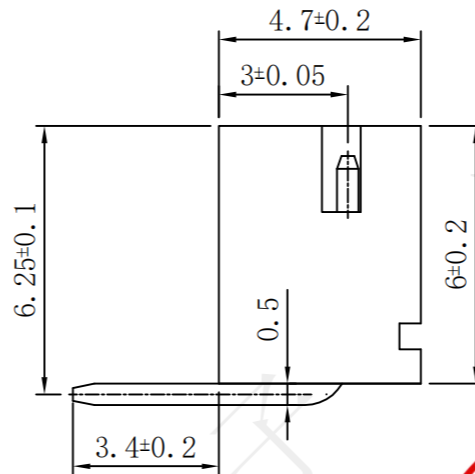
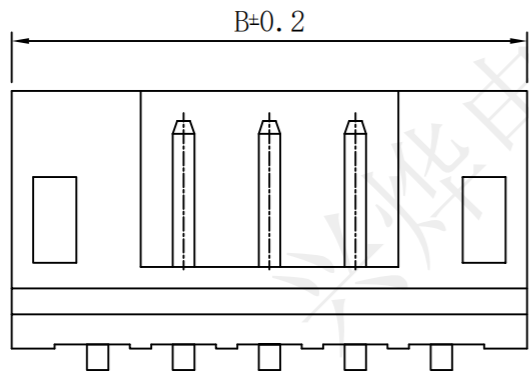
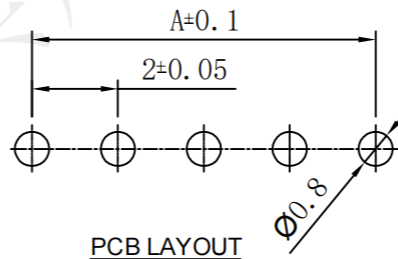
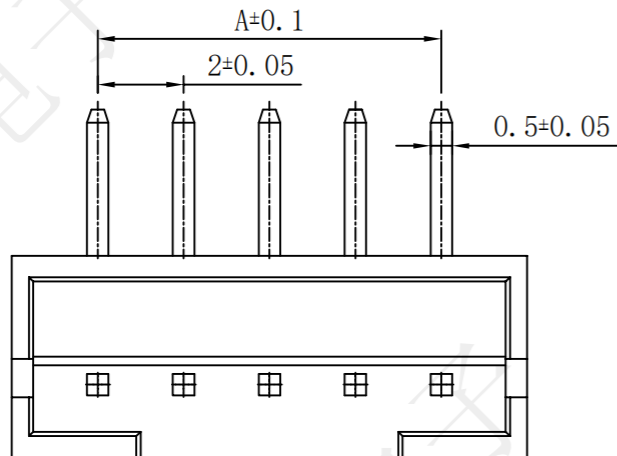


REV.	ECN NO.	DESCRIPTION	DRAW	APPD.	DATE
A	---				



Operating temperature: -25 °C~85 °C
 Rated loading: 2A 250V AC, DC
 Contact resistance: 10mΩ Max
 Insulation resistance: 1000MΩ Min
 Withstanding voltage: AC 800V (50HZ)/min
 Material: PA66
 PIN Brass Tin-plated



PIN数	料号	尺寸	
		A	B
2P	CZB15037	2.00	6.00
3P	CZB15038	4.00	8.00
4P	CZB15039	6.00	10.00
5P	CZB15040	8.00	12.00
6P	CZB15041	10.00	14.00
7P	CZB15042	12.00	16.00
8P	CZB15043	14.00	18.00
9P	CZB15044	16.00	20.00
10P	CZB15045	18.00	22.00
11P	CZB15046	20.00	24.00
12P	CZB15047	22.00	26.00
13P	CZB15048	24.00	28.00
14P	CZB15048	26.00	30.00
15P	CZB15050	28.00	32.00

受控文件

深圳市兴烨电子有限公司
 ShenZhen XingYe Electronics co., Ltd

TOLERANCE		
.XX ±0.30	X.° ±2°	APPD: 陈爱光
.XX ±0.20	.X° ±1°	CHEd: 施立敏
.XXX ±0.10	XX° ±0.5°	DRAW: 马洪飞
UNITS	mm	

Series Name : PH-nAW

Product Name :

Part NO:

SCALE	SHEET	REV.
		A1