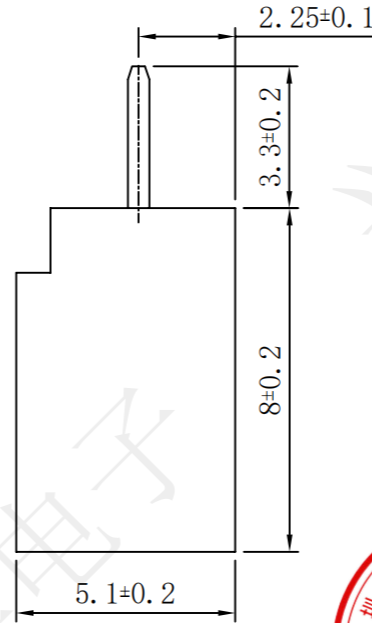
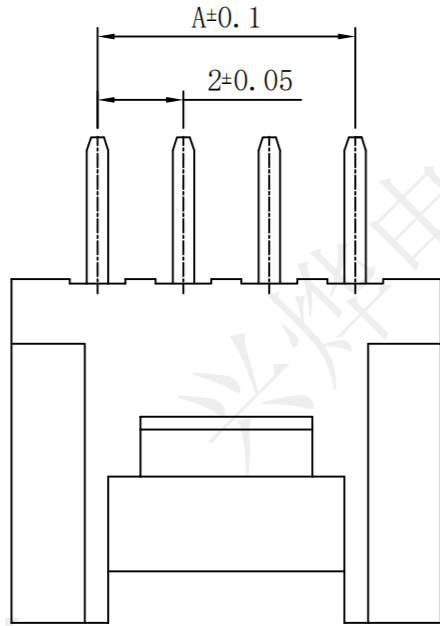


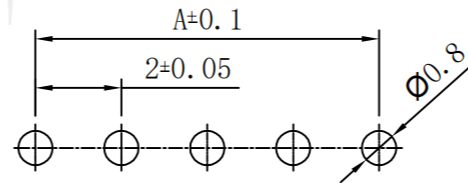
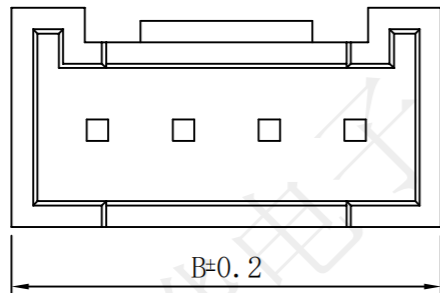
REV.	ECN NO.	DESCRIPTION	DRAW	APPD.	DATE
A	---				



Operating temperature: -25 °C ~ 85 °C
 Rated loading: 2A 250V AC, DC
 Contact resistance: 10mΩ Max
 Insulation resistance: 1000MΩ Min
 Withstanding voltage: AC 800V (50HZ)/min
 Material: PA66
 PIN Brass Tin-plated



PIN数	料号	尺寸	
		A	B
2P	CZB15079	2.00	6.00
3P	CZB15080	4.00	8.00
4P	CZB15081	6.00	10.00
5P	CZB15082	8.00	12.00
6P	CZB15083	10.00	14.00
7P	CZB15084	12.00	16.00
8P	CZB15085	14.00	18.00
9P	CZB15086	16.00	20.00
10P	CZB15087	18.00	22.00
11P	CZB15088	20.00	24.00
12P	CZB15089	22.00	26.00
13P	CZB15090	24.00	28.00
14P	CZB15091	26.00	30.00
15P	CZB15092	28.00	32.00



PCB LAYOUT

受控文件

深圳市兴烨电子有限公司
 Shenzhen XingYe Electronics co., Ltd

TOLERANCE		
XX	±0.30	APPD: 陈爱龙
.XX	±0.20	CHEC: 施立敏
.XXX	±0.10	
	XX	±0.5°
UNITS	mm	DRAW: 马洪飞

Series Name : PH-nA带扣

Product Name :

Part NO:

⊙	SCALE	SHEET	REV.
	1:1	1/1	A1