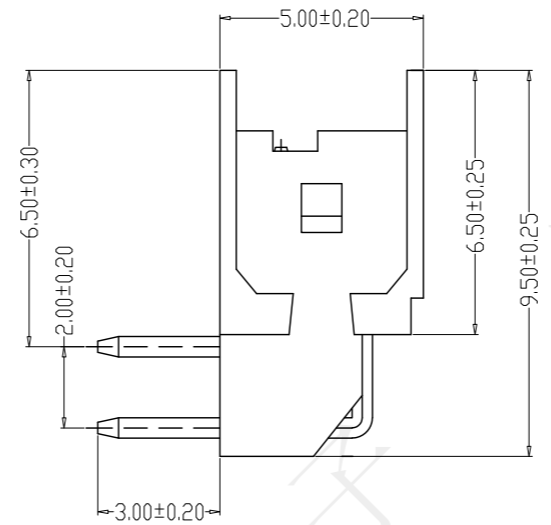
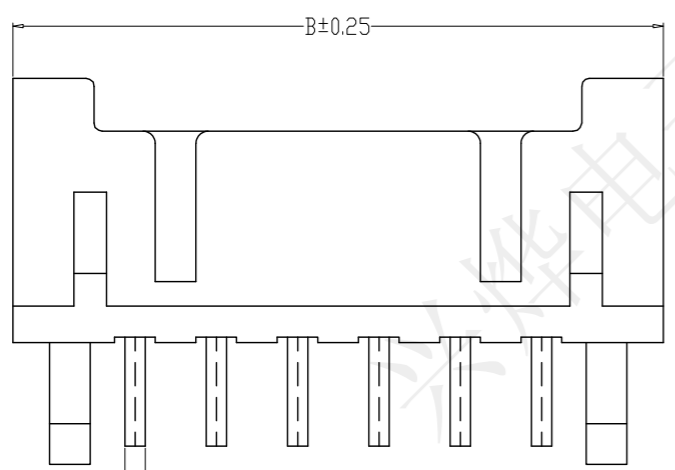
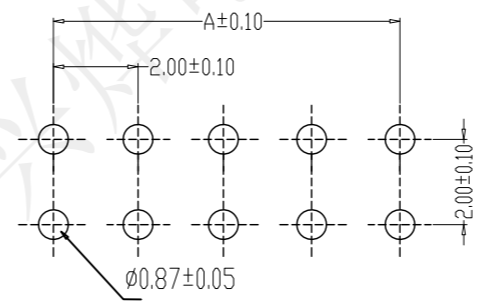
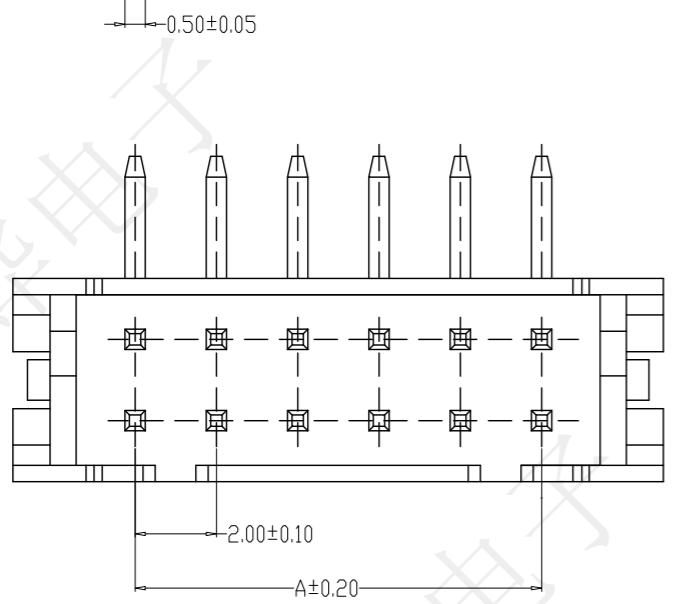


REV.	ECN NO.	DESCRIPTION	DRAW	APPD.	DATE
A	---				



- SPECIFICATIONS**
- 1、Current Rating: 3A AC, DC
  - 2、Voltage Rating: 250V AC, DC
  - 3、Temperatuer Range: -25°C~+85°C
  - 4、Contact Resistance: 20mΩ Max
  - 5、Insulation Resistance: 1000 MΩ Min
  - 6、Withstanding Voltang: 800V AC/minute
  - 7、Material: Wafer Nylon66, UL94V-0  
PIN Brass Tin-plated



**PCB LAYOUT**



**受控文件**

PIN数	料号	尺寸	
		A	B
2X2P	CZH25613	2.00	8.00
2X3P	CZH25614	4.00	10.00
2X4P	CZH25615	6.00	12.00
2X5P	CZH25616	8.00	14.00
2X6P	CZH25617	10.00	16.00
2X7P	CZH25618	12.00	18.00
2X8P	CZH25619	14.00	20.00
2X9P	CZH25620	16.00	22.00
2X10P	CZH25621	18.00	24.00
2X11P	CZH25622	20.00	26.00
2X12P	CZH25623	22.00	28.00
2X20P	CZH25624	38.00	44.00

**深圳市兴烨电子有限公司**  
ShenZhen XingYe Electronics co., Ltd

TOLERANCE		
XX ±0.30	X° ±2°	APPD: 陈爱光
.XX ±0.20	x° ±1°	CHEd: 施立敏
.XXX ±0.10	.XX° ±0.5°	DRAW: 马洪飞
UNITS	mm	

Series Name : PHD-2\*nAW 双头带扣

Product Name :

Part NO:

SCALE	SHEET	REV.
1:1	1/1	A1