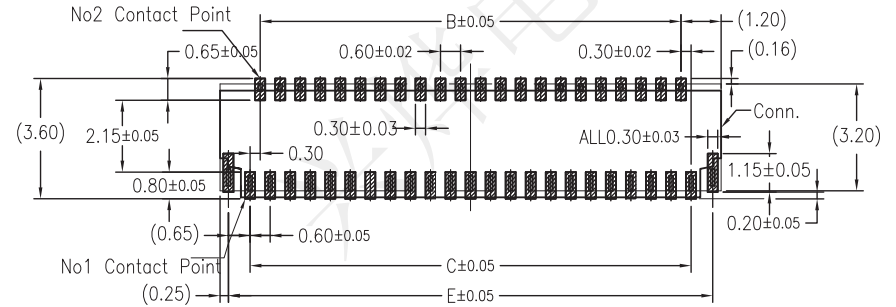
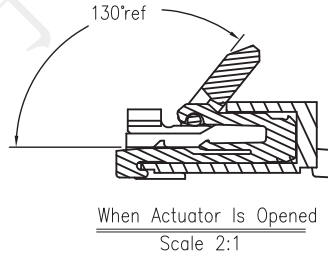
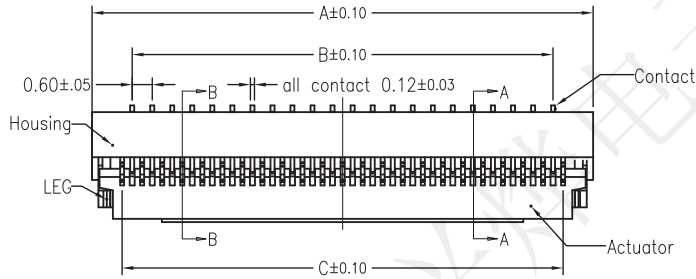
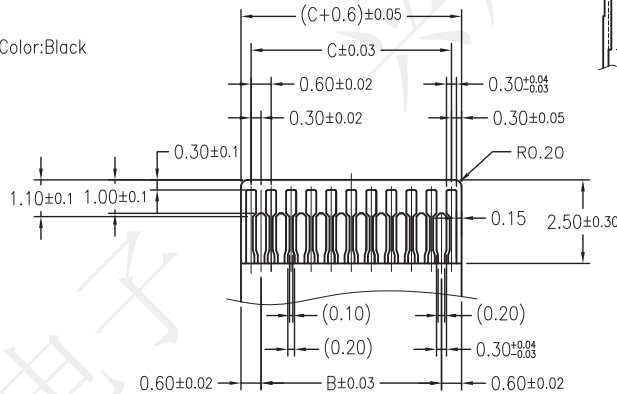
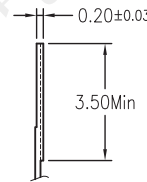
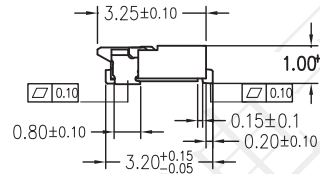
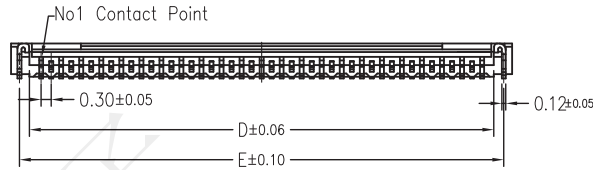


受控文件

REV.	ECN NO.	DESCRIPTION	DRAW	APPD.	DATE
A	---				



FPC/FFC Insert Direction  
Recommended P.C.B Layout  $\triangle$



Applicable FPC

- Note:
- Material
    - Housing: LCP UL94-V0 Color:Natural
    - Actuator: High Temperture UL94-V0 Color:Black
    - Contact: Phosphor Bronze.
    - LEG: Phosphor Bronze.
  - Plating
    - Contact: See Part Number.
    - LEG: Matte Tin Plating Over Nickel.
  - Rating:
    - Operating Voltage: 30V AC/DC.
    - Current Rating: 0.2A AC/DC.
    - Operating Temperature: -55°C~+85°C.



料号	CKTS	Dimension				
		A	B	C	D	E
FCZ23794	13	5.40	3.00	3.60	4.25	4.90
FCZ23795	15	6.00	3.60	4.20	4.85	5.50
FCZ23796	17	6.60	4.20	4.80	5.45	6.10
FCZ23797	19	7.20	4.80	5.40	6.05	6.70
FCZ23798	21	7.80	5.40	6.00	6.65	7.30
FCZ23799	23	8.40	6.00	6.60	7.25	7.90
FCZ23800	25	9.00	6.60	7.20	7.85	8.50
FCZ23801	27	9.60	7.20	7.80	8.45	9.10
FCZ23802	29	10.20	7.80	8.40	9.05	9.70
FCZ23803	31	10.80	8.40	9.00	9.65	10.30
FCZ23804	33	11.40	9.00	9.60	10.25	10.90
FCZ23805	35	12.00	9.60	10.20	10.85	11.50
FCZ23806	37	12.60	10.20	10.80	11.45	12.10
FCZ23807	39	13.20	10.80	11.40	12.05	12.70
FCZ23808	41	13.80	11.40	12.00	12.65	13.30
FCZ23809	45	15.00	12.60	13.20	13.85	14.50
FCZ23810	49	16.20	13.80	14.40	15.05	15.70
FCZ23811	51	16.80	14.40	15.00	15.65	16.30

**深圳市兴烨电子有限公司**  
ShenZhen XingYe Electronics co., Ltd

Series Name :  
0.3-nP翻盖镀金H1.0编带

Product Pescription :

TOLERANCE		APPD: 陈爱光
.XX	±0.30	
.XX	±2°	
.XX	±0.20	DRAW: 马洪飞
.XX	±1°	
.XXX	±0.10	SCALE SHEET REV.
.XX	±0.5°	
UNITS	mm	1:1 1/1 A1

Part NO:

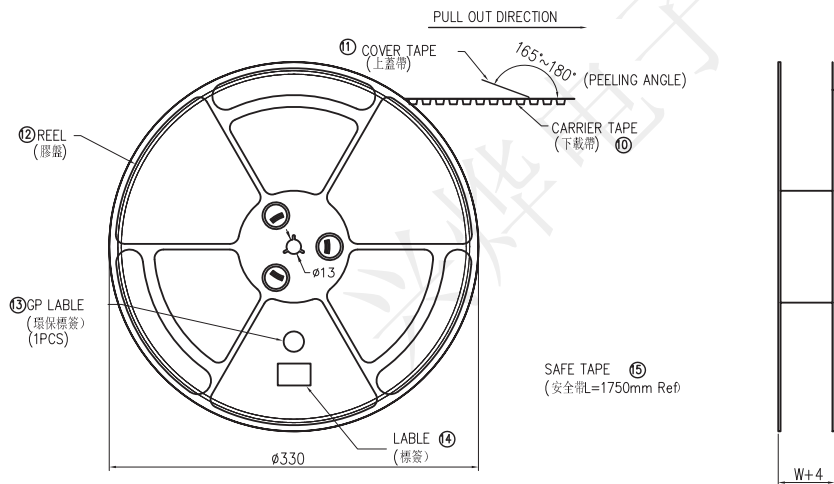
SCALE	SHEET	REV.
1:1	1/1	A1

REV.	ECN NO.	DESCRIPTION	DRAW	APPD.	DATE
---	---	---	---	---	---

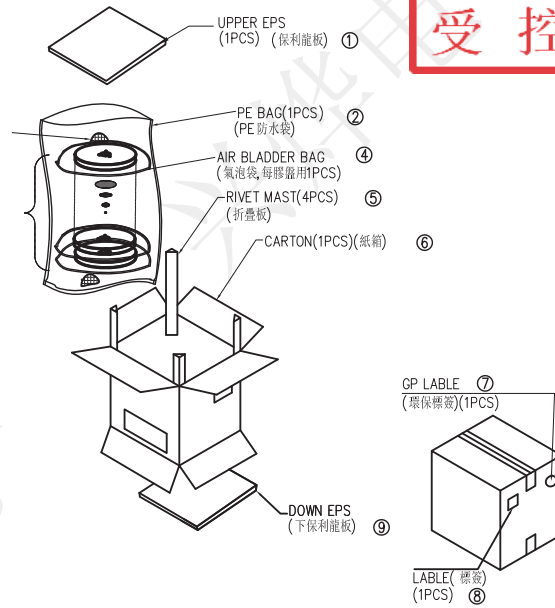
# EMBOSSED TAPE PACKING

0.3mm Pitch FPC Connector, ZIF R/A SMT Type

受控文件

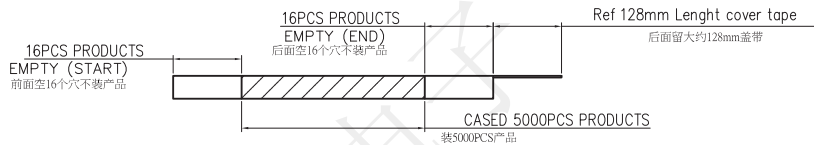
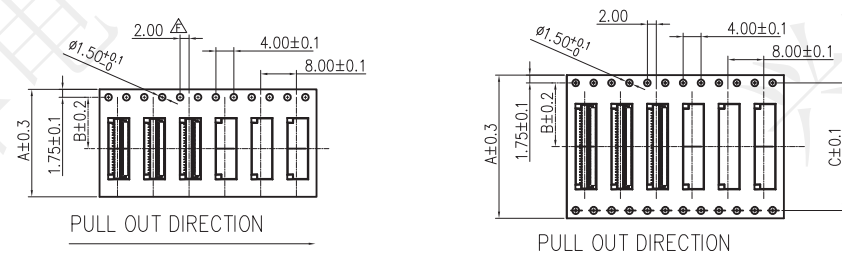


SCALE 1: 4



ON TE:

- 1.10 Sprocket hole pitch cumulative tolerance  $\pm 0.20$ .
2. Carrier camber is within 1mm in 100mm.
3. Material: black conductive polystyrene alloy.
4. Material Thickness:  $0.3 \pm 0.05$ mm.
5. All dimensions meet EIA-481-B requirements.
6. 5000pcs Pef Reel.
7. For tape width (dim W) 16 and 24mm pilot holes are provided on one sides. For tape width (dim W) 32, 44 and 56mm pilot holes are provided on both sides.



PIN NO.	W	A	B	C	PCS /REEL	REEL/CARTON	SUM(PCS)
13PIN~25PIN	20.5	16	7.50	-	5000	13	65000
27PIN~49PIN	28.5	24	11.5	-	5000	10	50000
51PIN~61PIN	36.5	32	14.2	28.4	5000	8	40000
67~73PIN	48.5	44	20.2	40.4	5000	6	30000

<b>深圳市兴烨电子有限公司</b> ShenZhen XingYe Electronics co., Ltd		Series Name :	
		0.3-nP翻盖镀金H1.0编带	
TOLERANCE		Product Description :	
XX ±0.30	X° ±2°	Part NO:	
.XX ±0.20	.X° ±1°	APPD: 陈爱光	
.XXX ±0.10	.XX° ±0.5°	CHED: 施立敏	
UNITS	mm	DRAW: 马洪飞	
		SCALE	SHEET
		1:1	1/1
		REV.	A1