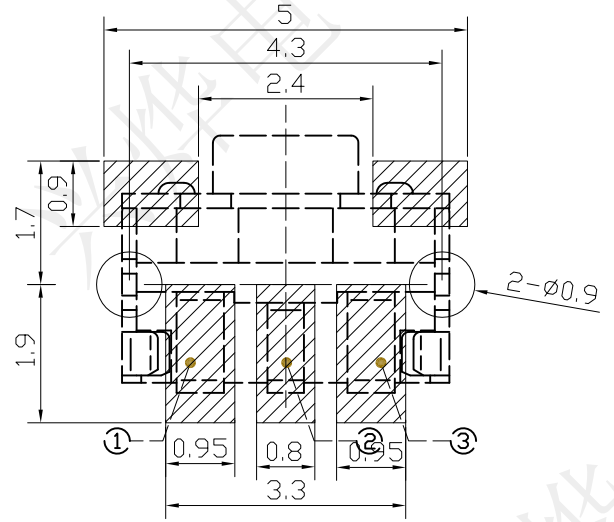
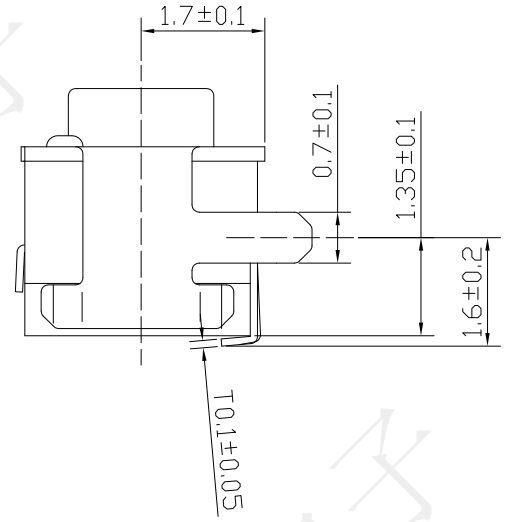
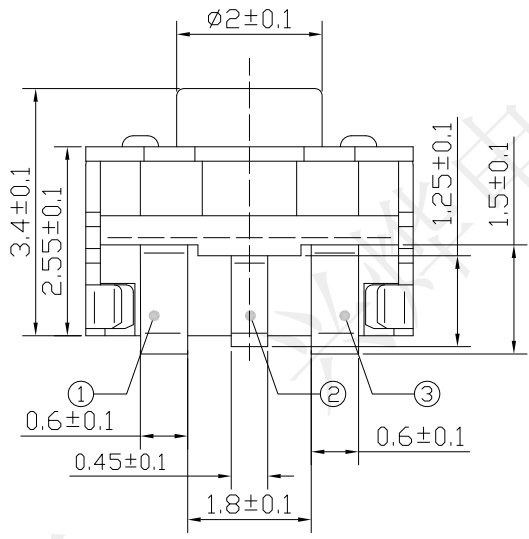
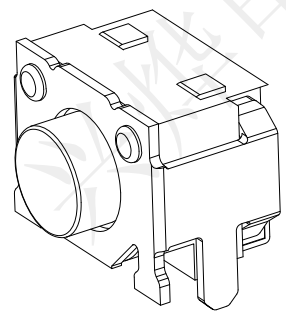
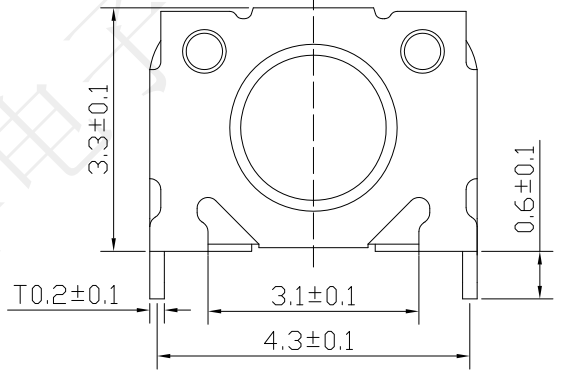


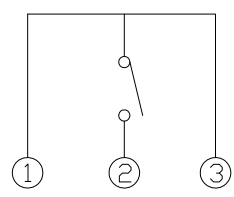
REV.	ECN NO.	DESCRIPTION	DRAW	APPD.	DATE
A	---				



P. C. B MOUNTING PATTERN DIMENSION  
the following soldering are recommended for reflow soldering



**SPECIFICATION:**  
 Operating temperature: -40℃~85℃  
 Rated loading: AC12V 50mA  
 Contact resistance: 100mΩ Max  
 Insulation resistance: 100MΩ Min  
 Withstanding voltage: AC 250V (50Hz) /min  
 Operating force: 160±30gf Max  
 Electrical Life: 100000 cycles



CIRCUIT DIAGRAM

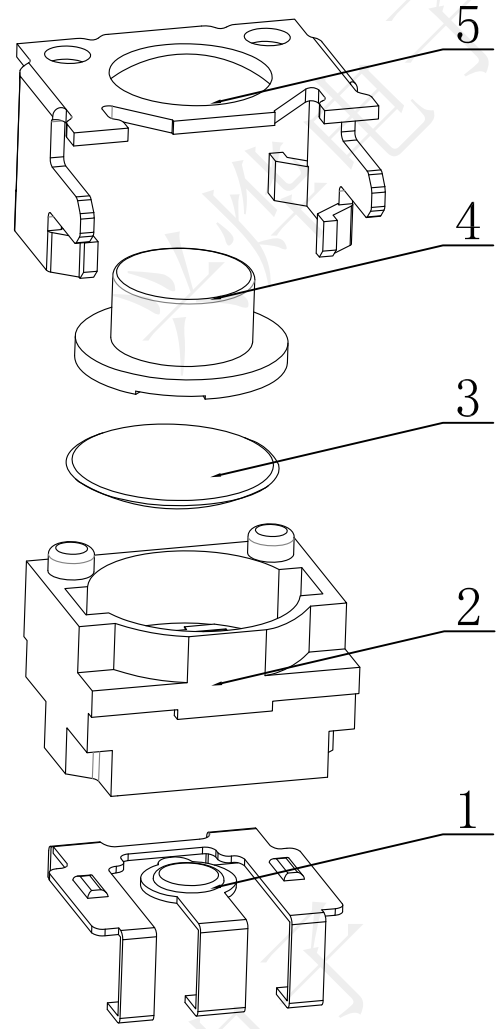
**受控文件**

<b>深圳市兴烨电子有限公司</b> ShenZhen XingYe Electronics co., Ltd		Series Name :						
		Product Description :						
		3*5笑脸侧按160G长脚编带						
		Part NO: TS22076						
TOLERANCE XX ±0.30 X° ±2° .XX ±0.20 X° ±1° .XXX ±0.10 XX° ±0.5° UNITS mm		APPD: 陈爱光 CHED: 施立敏 DRAW: 马洪飞						
		<table border="1"> <tr> <th>SCALE</th> <th>SHEET</th> <th>REV.</th> </tr> <tr> <td>1:1</td> <td>1/1</td> <td>A1</td> </tr> </table>	SCALE	SHEET	REV.	1:1	1/1	A1
SCALE	SHEET	REV.						
1:1	1/1	A1						

REV.	ECN NO.	DESCRIPTION	DRAW	APPD.	DATE
A	---				

受控文件

Push force 按压力		
1.2±0.3N	(120±30gf)	<input type="checkbox"/>
1.6±0.3N	(160±30gf)	<input type="checkbox"/>
2.0±0.4N	(200±40gf)	<input type="checkbox"/>
2.5±0.5N	(250±50gf)	<input type="checkbox"/>
3.5±0.5N	(350±50gf)	<input type="checkbox"/>



序号 NO.	零部件名称 NAME	材料名称 MATERIAL	数量 QUANTITY	备注 REMARKS
1	卡件 TERMINAL	磷铜 PHOSPHOR COPPER	1	镀银 Ag PLATED
2	底座 CASE	LCP	1	黑色 BLACK
3	弹片 CONTACT	SUS301	1	镀银 Ag PLATED
4	按钮 STEM	LCP	1	白色 WHITE
5	盖板 COVER	磷铜 PHOSPHOR COPPER	1	镀银 Ag PLATED

**深圳市兴烨电子有限公司**  
ShenZhen XingYe Electronics co., Ltd

Series Name :  
Product Description :  
3\*5笑脸侧接160G长脚编带

TOLERANCE		APPD: 陈爱光
X.X ±0.30	X.° ±2°	CHED: 施立敏
.XX ±0.20	.X° ±1°	
.XXX ±0.10	.XX° ±0.5°	DRAW: 马洪飞
UNITS	mm	

Part NO: TSZ22076		
	SCALE	SHEET
1:1	1/1	REV. A1