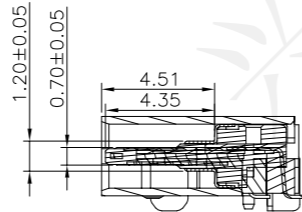
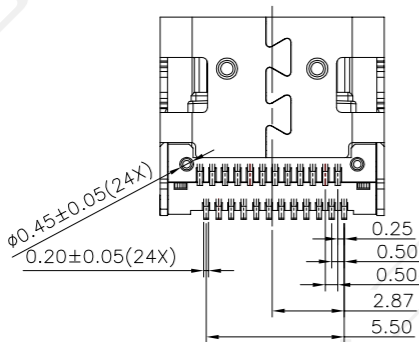
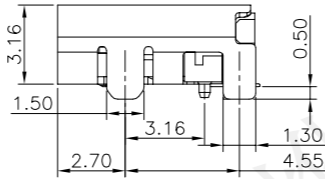
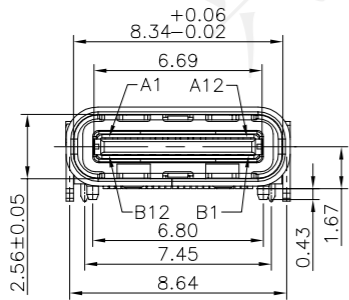
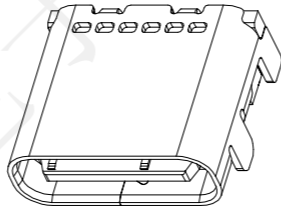
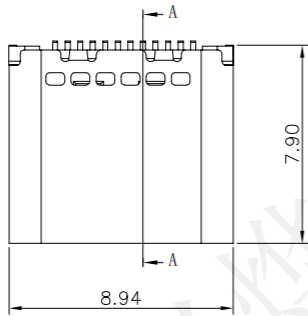


REV.	ECN NO.	DESCRIPTION	DRAW	APPD.	DATE



截面A-A

1. MECHANICAL:
 INSERTION: 5~20N.
 EXTRACTION: 8~20N AFTER TEST.
 DURABILITY: 10000 CYCLES
2. ELECTRICAL:
 CURRENT: 5A FOR VBUS;
 1.25A FOR GND PIN.
 0.25A FOR OTHER.
 VOLTAGE: 5.0V MAX
 WITHSTANDING VOLTAGE: 100V AC R. M. S.
 CONTACT RESISTANCE: 40mΩ MAX.
 INSULATION RESISTANCE: 100MΩ MIN.
3. ENVIRONMENTAL
 TEMPERATURE RANGE -25° C ~ +85° C

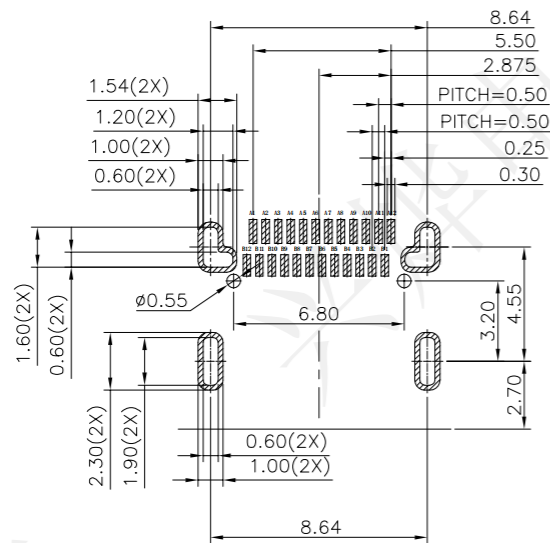
4	Front shell	Stainless steel	Ni/SN plated
3	Mid plate	Stainless steel	
2	Contact	Copper alloy	Au/Ni plated
1	Housing	LCP	UL94 V-0.
NO.	Part name	Material	Remarks

受控文件

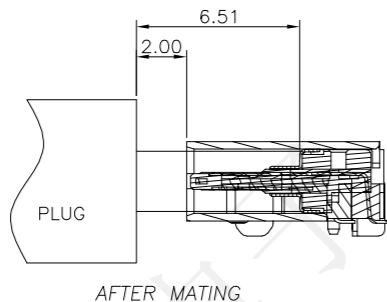


深圳市兴烨电子有限公司 Shenzhen XingYe Electronics co., Ltd		Series Name :	
		Product Name : TYPE-CF-24P板上四脚插SMT有柱	
TOLERANCE		Part NO: UCX27082	
X.X ±0.30	X.° ±2°	APPD: 陈爱光	SCALE SHEET REV. 1:1 1/1 A1
.XX ±0.20	.X° ±1°	CHED: 施立敏	
.XXX ±0.10	.XX° ±0.5°	DRAW: 马洪飞	
UNITS	mm		

REV.	ECN NO.	DESCRIPTION	DRAW	APPD.	DATE
A	---				



RECOMMENDED PCB LAYOUT(TOP VIEW)
THICKNESS 0.60MM;DEFAULT TOLERANCE:±0.05



USB TYPE-C PIN ASSIGNMENTS

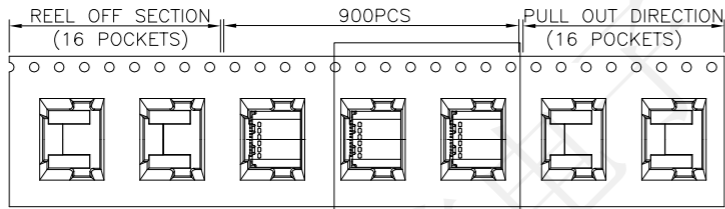
PIN NUMBER	SIGNAL NAME	PIN NUMBER	SIGNAL NAME
A1	GND	B12	GND
A2	SSTXp1	B11	SSRXp1
A3	SSTXn1	B10	SSRXn1
A4	Vbus	B9	Vbus
A5	CC1	B8	SBU2
A6	Dp1	B7	Dn2
A7	Dn1	B6	Dp2
A8	SBU1	B5	CC2
A9	Vbus	B4	Vbus
A10	SSRXn2	B3	SSTXn2
A11	SSRXp2	B2	SSTXp2
A12	GND	B1	GND



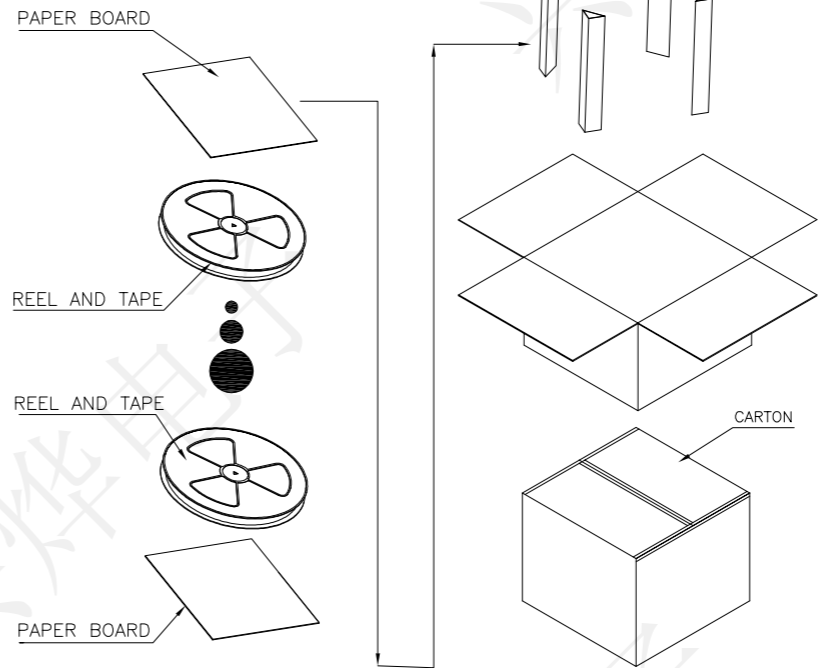
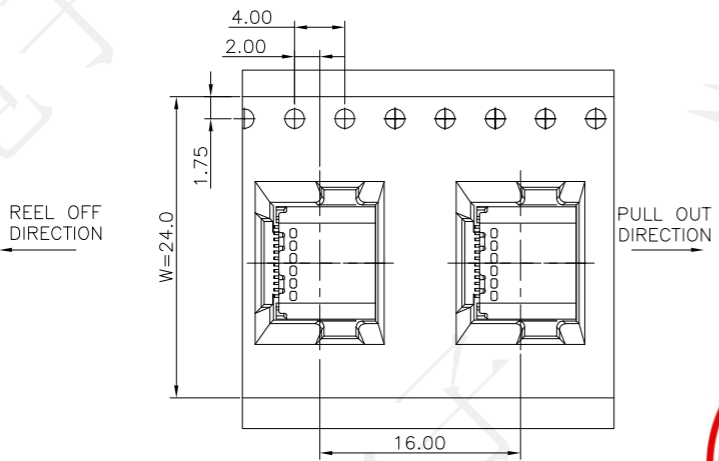
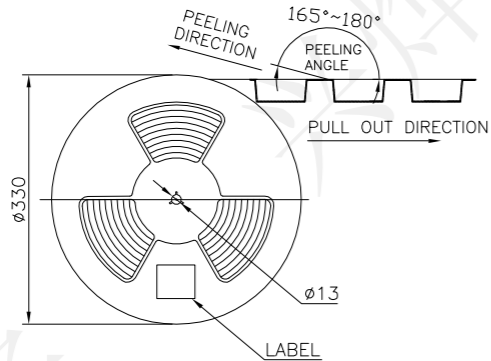
受控文件

深圳市兴烨电子有限公司 Shenzhen XingYe Electronics co., Ltd		Series Name :		
		Product Name : TYPE-CF-24P板上四脚插SMT有柱		
TOLERANCE		Part NO: UCX27082		
X.X ±0.30	X.° ±2°	APPD: 陈爱光	SCALE	SHEET
.XX ±0.20	.X° ±1°	CHED: 施立敏	1:1	1/1
.XXX ±0.10	.XX° ±0.5°	DRAW: 马洪飞	REV.	A1
UNITS	mm			

REV.	ECN NO.	DESCRIPTION	DRAW	APPD.	DATE



SEE DETAIL X



CONNECTOR (PCS)	REEL	CARTON
	900	9000



受控文件

深圳市兴烨电子有限公司 Shenzhen XingYe Electronics co., Ltd		Series Name :	
TOLERANCE X.X ±0.30 X° ±2° .XX ±0.20 X° ±1° .XXX ±0.10 XX° ±0.5° UNITS mm		Product Name : TYPE-CF-24P板上四脚插SMT有柱	
APPD: 陈爱光 CHED: 施立敏 DRAW: 马洪飞		Part NO: UCX27082	
			SCALE SHEET REV. 1:1 1/1 A1