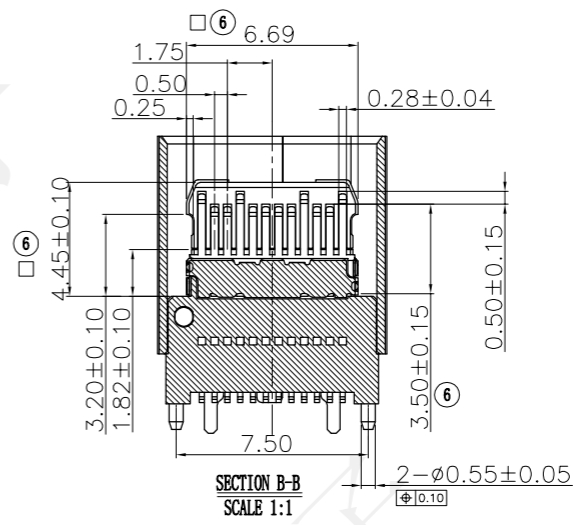
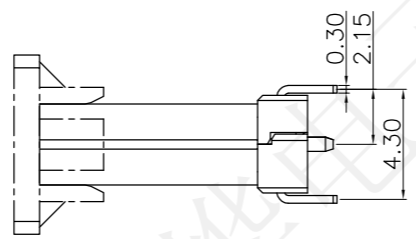
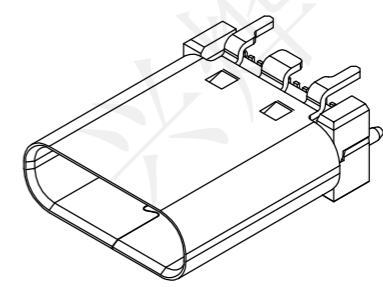
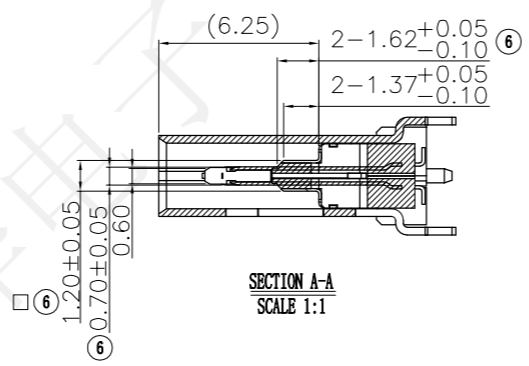
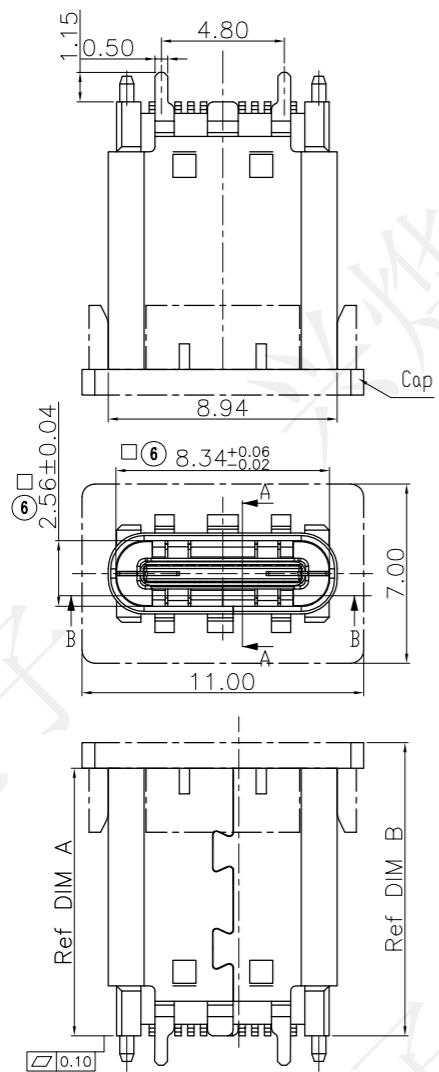


REV.	ECN NO.	DESCRIPTION	DRAW	APPD.	DATE
	---				



NO	DIM A	DIM B
1	10.5	11.50
2	9.3	10.30

NO.	Part name	Material	Remarks
4	Front shell	Stainless steel	Ni/SN plated
3	Mid plate	Stainless steel	
2	Contact	Copper alloy	Au/Ni plated
1	Housing	LCP	Black

受控文件



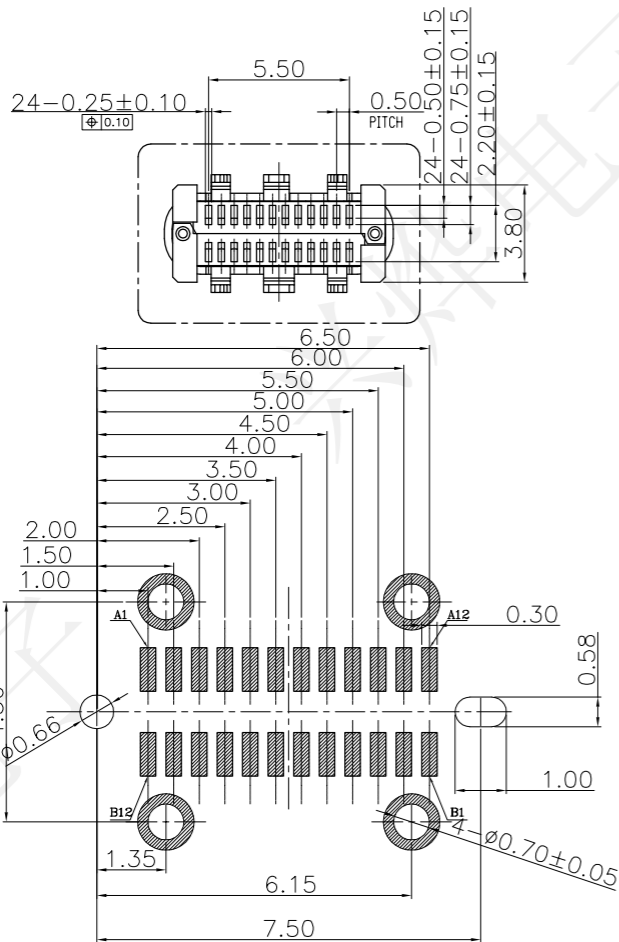
**深圳市兴烨电子有限公司**  
Shenzhen XingYe Electronics co., Ltd

TOLERANCE	
X.X ±0.30	X° ±2°
.XX ±0.20	.X° ±1°
.XXX ±0.10	.XX° ±0.5°
UNITS	mm

Series Name :		
Product Name :	TYPE-CF-24P立贴L9.3脚长1.15	
Part NO:	UCX27101	
SCALE	SHEET	REV.
1:1	1/1	A1

APPD: 陈爱光  
CHED: 施立敏  
DRAW: 马洪飞

REV.	ECN NO.	DESCRIPTION	DRAW	APPD.	DATE
A	---				



RECOMMENDED P.C.B. LAYOUT (T:1.00mm)  
TOLERANCE UNSPECIFIED ±0.05mm



SPECIFICATIONS:

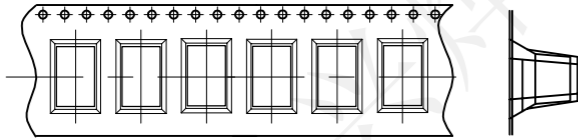
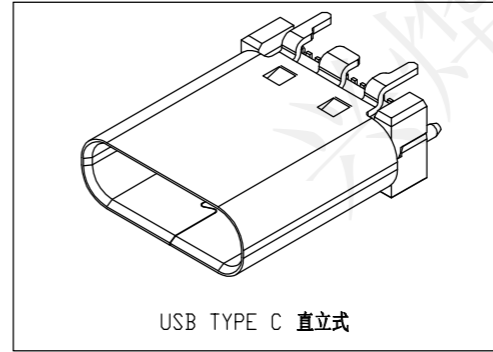
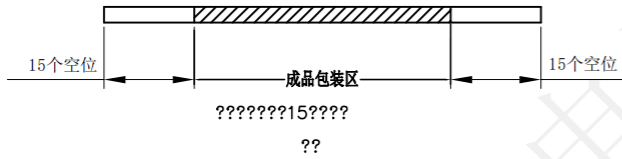
1. MECHANICAL :
  - 1.1 INSERTION FORCE :5N~20N
  - 1.2 WITHDRAWAL FORCE :8N~20N  
AFTER 10,000 CYCLES MATING: 2N MIN.
2. ELECTRICAL :
  - 2.1 CONTACT CURRENT RATING: 3A .
  - 2.2 VOLTAGE RATING :30V AC (rms)
  - 2.3 WITHSTANDING VOLTAGE: 100 VAC FOR 1 MINUTE.  
INSULATION RESISTANCE: 100 MEGAOHMS MIN.
  - 2.4 CONTACT RESISTANCE: 40 MILLIOHMS MAX.
3. ENVIRONMENTAL :
  - 3.1 OPERATING TEMPERATURE:-25°C TO +85°C

PIN	Signal Name	Description	PIN	Signal Name	Description
A1	GND	Ground return	B12	GND	Ground return
A2	SSTXp1	Positive half of first SuperSpeed TX differential pair	B11	SSRXp1	Positive half of first SuperSpeed RX differential pair
A3	SSTXn1	Negative half of first SuperSpeed TX differential pair	B10	SSRXn1	Negative half of first SuperSpeed RX differential pair
A4	VBUS	Bus Power	B9	VBUS	Bus Power
A5	CC1	Configuration Channel	B8	SBU2	Sideband Use (SBU)
A6	Dp1	Positive half of the USB 2.0 differential pair-Position 1	B7	Dn2	Negative half of the USB 2.0 differential pair-Position 2
A7	Dn1	Negative half of the USB 2.0 differential pair-Position 1	B6	Dp2	Positive half of the USB 2.0 differential pair-Position 2
A8	SBU1	Sideband Use(SBU)	B5	CC2	Configuraaion Channel
A9	VBUS	Bus Power	B4	VBUS	Bus Power
A10	SSRXn2	Negative half of second SuperSpeed RX differential pair	B3	SSTXn2	Negative half of second SuperSpeed TX differential pair
A11	SSRXp2	Positive half of second SuperSpeed RX differential pair	B2	SSTXp2	Positive half of second SuperSpeed TX differential pair
A12	GND	Ground return	B1	GND	Ground return

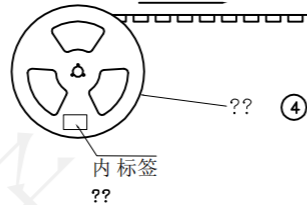
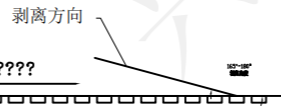
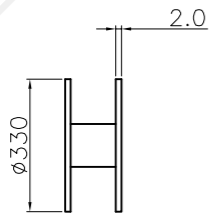
受控文件

		Series Name :	
		Product Name : TYPE-CF-24P立贴L9.3脚长1.15	
TOLERANCE		Part NO: UCX27101	
X.X ±0.30	X° ±2°	APPD: 陈爱光	SCALE 1:1
XX ±0.20	X° ±1°	CHED: 施立敏	
XXX ±0.10	XX° ±0.5°	DRAW: 马洪飞	SHEET 1/1
NITS	mm		REV. A1

REV.	ECN NO.	DESCRIPTION	DRAW	APPD.	DATE
^	---				



①



受控文件



TABLE A

??	??	??	??
①	USB TYPE C ???		4.5 K
②	????	GP PET, W=24.0mm, 热融性	7.68*10
③	??	GP PS?? W=24mm P=16mm T=0.50mm(1?/7.68m)	7.68*10
④	??	??330*24.0????	10PCS
⑤	??	390*390*3mm	2PCS
⑥	???	320(90+140+90)*300mm	4PCS
⑦	??	400*400*335mm K=K	1PCS
⑧	???	600*600*0.15	1PCS

**深圳市兴烨电子有限公司**  
ShenZhen XingYe Electronics co., Ltd

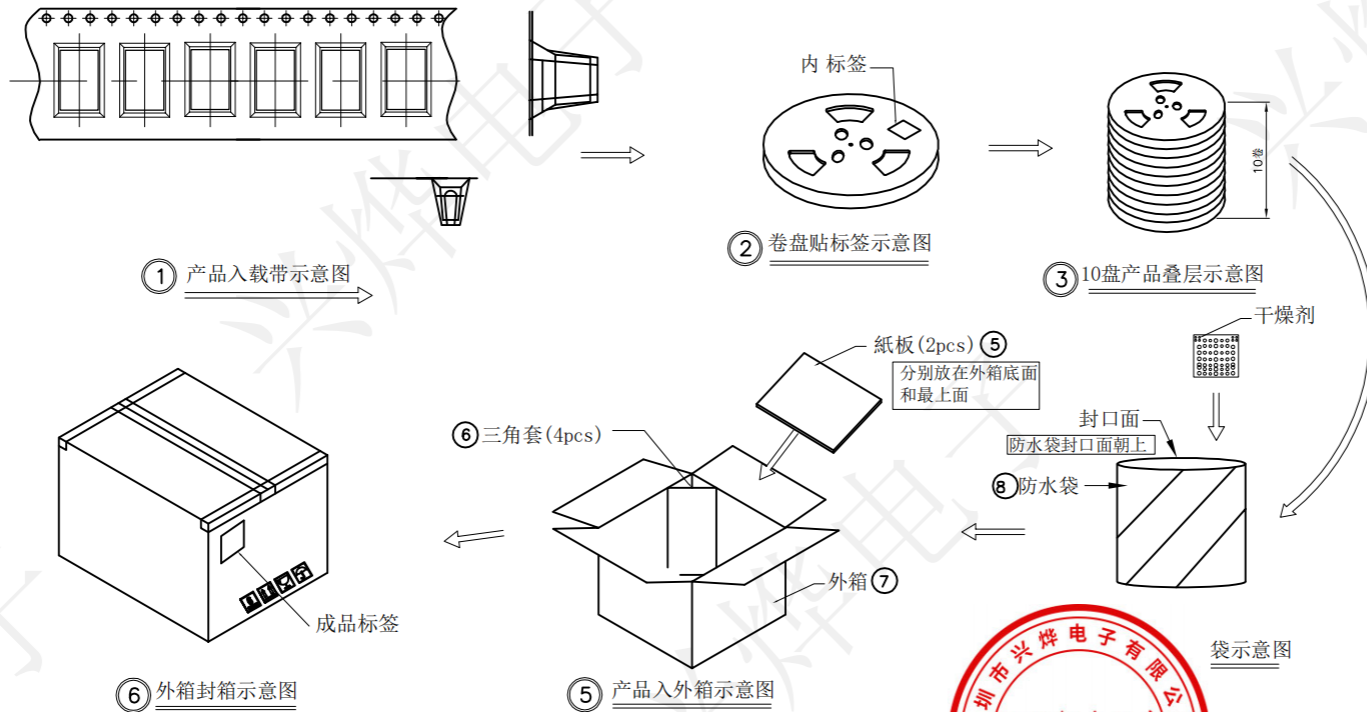
TOLERANCE			
X.X	±0.30	X.°	±2°
.XX	±0.20	.X°	±1°
.XXX	±0.10	.XX°	±0.5°
UNITS		mm	

Series Name :		
Product Name : TYPE-CF-24P立贴L9.3脚长1.15		
Part NO: UCX27101		
SCALE	SHEET	REV.
1:1	1/1	A1

APPD: 陈爱光  
CHED: 施立敏  
DRAW: 马洪飞



REV.	ECN NO.	DESCRIPTION	DRAW	APPD.	DATE
A	---				



受控文件

包装说明:

1. 将检验好的成品;SMT朝下放入载带底部;每卷装450PCS产品;具体如图一所示
2. 将包装好的产品;每盘必需贴上内标签;具体如图二所示
3. 将贴好内标签的产品每10盘叠一层装入防水袋中并加一包干燥剂;装好后将防水袋封好;具体如图三图四所示
4. 先将1pcs平卡放入纸箱底部;然后将装好产品的防水袋装入纸箱中;防水袋热熔封口;封口面需朝上;并将4PCS三角套分别装入4个角;如图五所示
5. 装好后将1pcs平卡放入纸箱最上面并封好纸箱及贴好相关标签;具体如图六所示;  
(产品包装的标签,如客户有要求,请按客户要求包装出货)
6. 载带前面和后面各留16PCS空格
7. COVER与CARRY剥离力:50-125g,速度:300mm/分钟左右,剥离角度:165°-180°

<b>深圳市兴烨电子有限公司</b> Shenzhen XingYe Electronics co., Ltd		Series Name :	
		Product Name : TYPE-CF-24P立贴L9.3脚长1.15	
TOLERANCE		Part NO: UCX27101	
X.X ±0.30	X.° ±2°	APPD: 陈爱光	SCALE SHEET REV. 1:1 1/1 A1
.XX ±0.20	.X° ±1°	CHEd: 施立敏	
.XXX ±0.10	.XX° ±0.5°	DRAW: 马洪飞	
UNITS	mm		