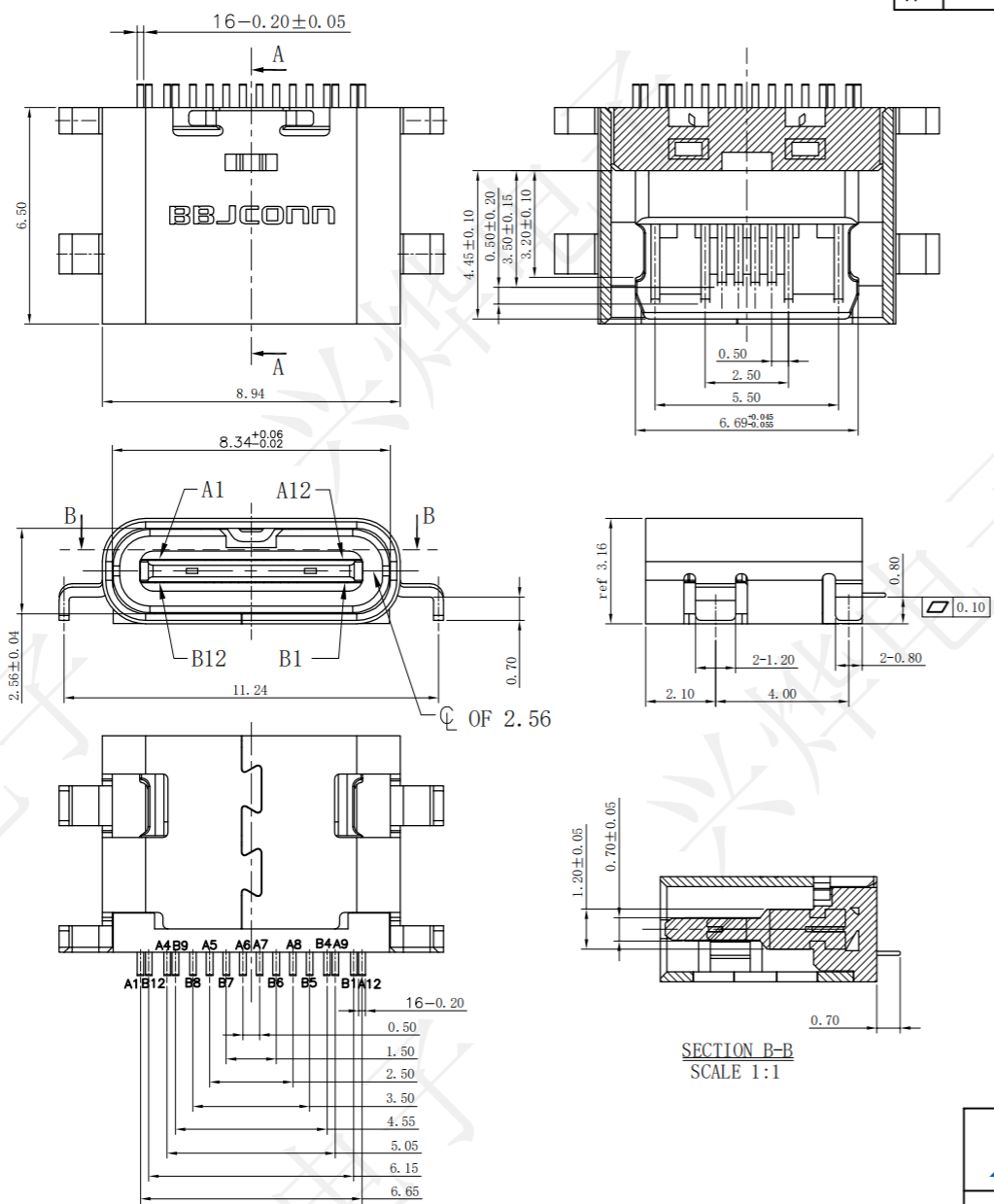


REV.	ECN NO.	DESCRIPTION	DRAW	APPD.	DATE
A	---				



- MECHANICAL PERFORMANCE,
  - INSERTION FORCE: 0.5~2.0kgf.
  - REMOVAL FORCE: 0.8kgf~2.0kgf.
  - DURABILITY: 10000 CYCLES.
- ELECTRICAL PERFORMANCE,
  - CURRENT RATING: 5A  
VOLTAGE RATING: 20V
  - INSULATION RESISTANCE: 100MΩ MIN
  - DIELECTRIC WITHSTAND VOLTAGE, AC 100V FOR 1 MINUTE.
- ENVIRONMENTAL PERFORMANCE:
 

OPERATING TEMPERATURE: -30° C~+80° C.
- IR REFLOW:
 

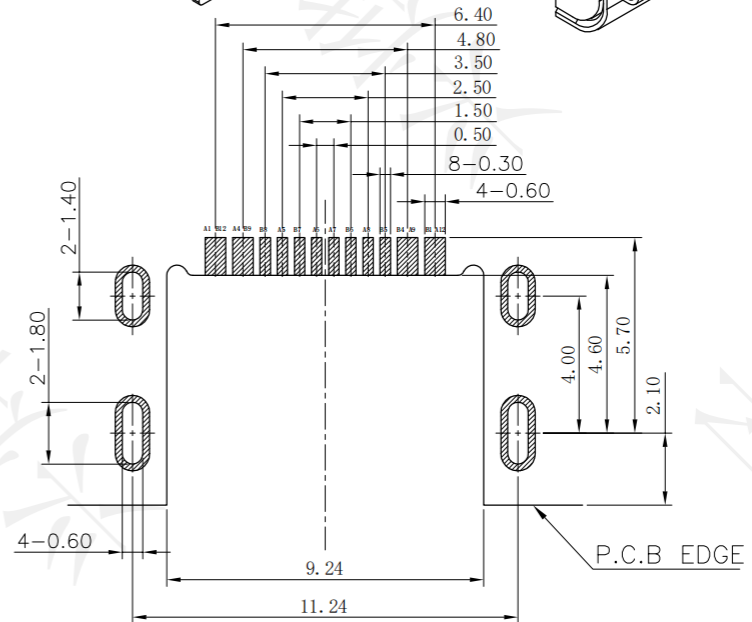
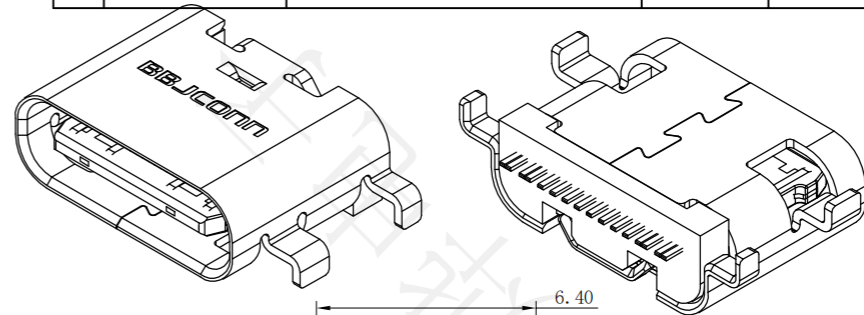
THE PEAK TEMPERATURE ON THE BOARD SHALL BE MAINTAINED FOR 10 SECONDS AT 260° C.

受控文件

4	Front shell	Stainless steel	Ni/SN plated
3	Mid plate	Stainless steel	
2	Contact	Copper alloy	Au/Ni plated
1	Housing	LCP	Black
NO.	Part name	Material	Remarks

<b>深圳市兴烨电子有限公司</b> Shenzhen XingYe Electronics co., Ltd		Series Name :	
		Product Name :	
TOLERANCE		TYPE-CF-16P沉板0.8四脚插L6.5	
X.X ±0.30	X° ±2°	Part NO: UCB27069	
.XX ±0.20	.X° ±1°	SCALE	SHEET
.XXX ±0.10	.XX° ±0.5°	1:1	1/1
UNITS mm		DRAW: 马洪飞	REV. A1

REV.	ECN NO.	DESCRIPTION	DRAW	APPD.	DATE
A	---				



RECOMMEND P.C.B LAYOUT (COMPONENT SIDE)

TOLERANCE FOR PCB LAYOUT IS  $\pm 0.05$

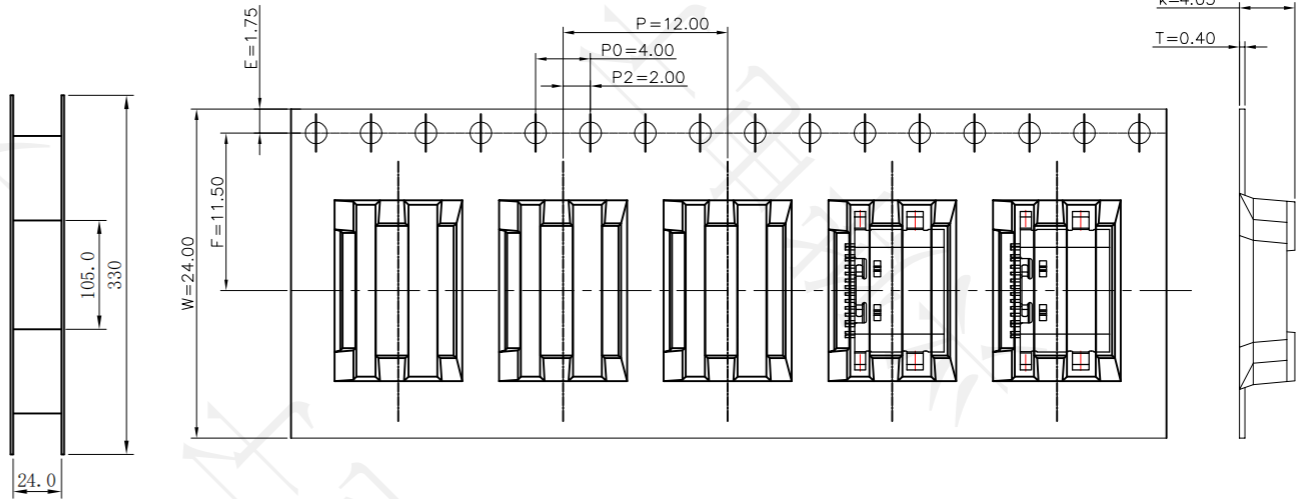
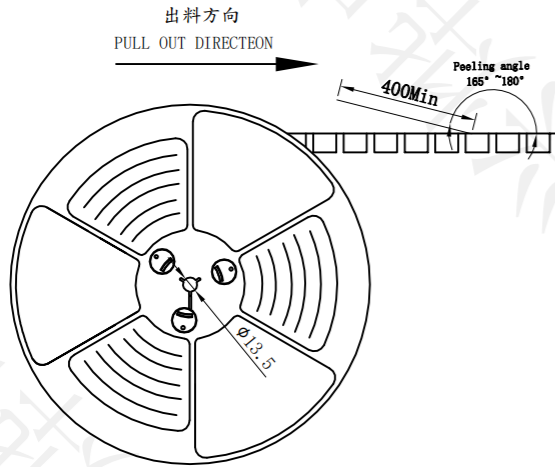
USB TYPE-C PIN ASSIGNMENTS

PIN NUMBER	SIGNAL NAME	PIN NUMBER	SIGNAL NAME
A1	GND	B12	GND
A4	VBUS	B9	VBUS
A5	CC1	B8	SBU2
A6	Dp1	B7	Dn2
A7	Dn1	B6	Dp2
A8	SBU1	B5	CC2
A9	VBUS	B4	VBUS
A12	GND	B1	GND

受控文件

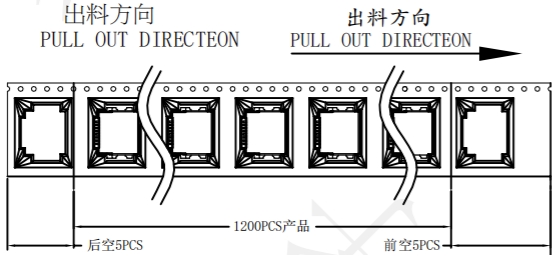
		Series Name :	
		Product Name :	
TOLERANCE		TYPE-CF-16P沉板0.8四脚插L6.5	
X.X $\pm 0.30$	X° $\pm 2^\circ$	Part NO: UCB27069	
.XX $\pm 0.20$	.X° $\pm 1^\circ$	SCALE SHEET REV.	
.XXX $\pm 0.10$	XX° $\pm 0.5^\circ$	1:1	1/1 A1
UNITS mm		DRAW: 马洪飞	

REV.	ECN NO.	DESCRIPTION	DRAW	APPD.	DATE
A	---				

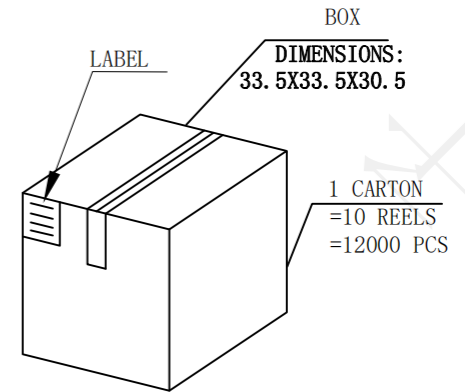
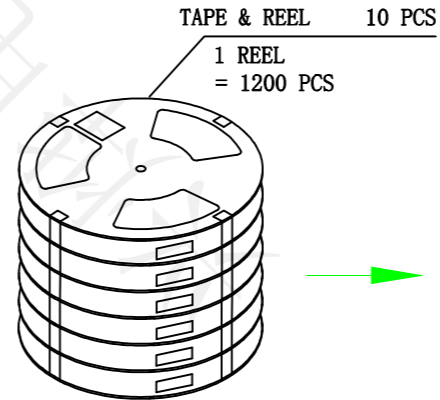


NOTES

- 帶子引導長度  
LEAD TAPE LENGTH  
出料方向  
PULL OUT DIRECTEON



- 上帶 剝力力為： $0.1 \sim 1.3\text{N}$  ( $10.2\text{gf} \sim 130\text{gf}$ )  
PEELING OFF FORCE OF TOP TAPE:  $0.1 \sim 1.3\text{N}$  ( $10.2\text{gf} \sim 130\text{gf}$ )  
出貨運輸過程中一定注意：  
THIS REQUIREMENT SHOULD BE APPLIED AT SHIPMENT：  
卷帶在運輸過程中不能散開  
PEELING OFF SHOULD NOT BE ALLOWED DURING TRANSPORTATION



受控文件

產品料號 (Product No.)	包裝容量 (Packing Capacity)			重量 Weight (Kg)		
	pcs/box	boxes/Carton	Pcs/Box	N. W. /Pcs	N. W. /Box	G. W. /Box
UCR01-2162X-00XR	1200	10	12000	---	---	---

<b>深圳市兴烨电子有限公司</b> Shenzhen XingYe Electronics co., Ltd		Series Name :	
		Product Name : TYPE-CF-16P沉板0.8四脚插L6.5	
TOLERANCE		Part NO: UCB27069	
UNITS mm		APPD: 陈爱光	SCALE 1:1
		CHED: 施立敏	SHEET 1/1
		DRAW: 马洪飞	REV. A1