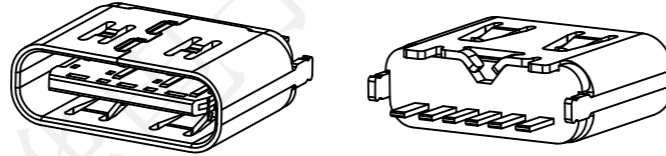
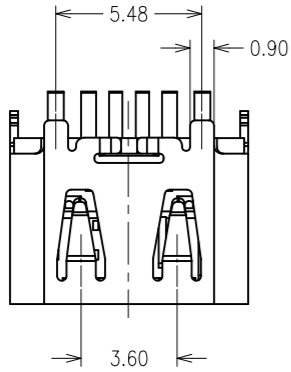
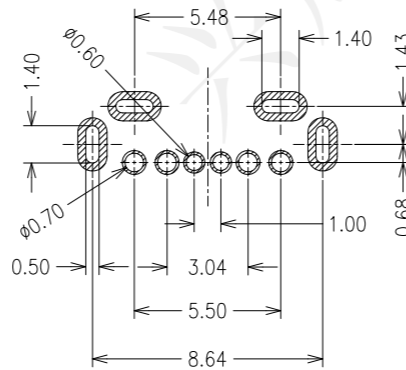
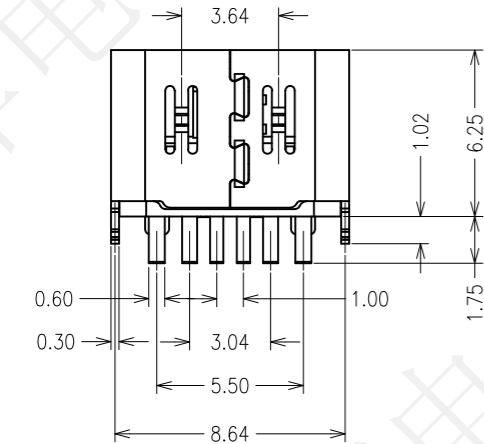
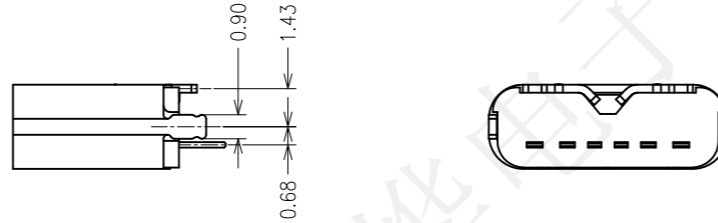
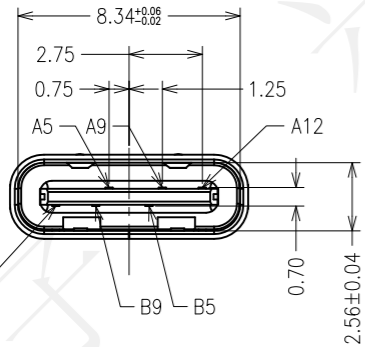


REV.	ECN NO.	DESCRIPTION	DRAW	APPD.	DATE
A	---				



SPECIFICATION

1. ELECTRICAL CHARACTERISTICS:
 - 1-1. VOLTAGE&CURRENT RATING:DC 30V MAX&3A
 - 1-2. CONTACT RESISTANCE: 40mΩ MAX INITIAL.
 - 1-3. INSULATION RESISTANCE: 1000MΩ MIN FOR VOLTAGE 100VDC.
 - 1-4. DIELECTRIC WITHSTAND: 100V AC for 1 MINUTE
 - 1-5. OPERATING TEMPERATURE: -25°C~+85°C
2. MECHANICAL CHARACTERISTICS:
 - 2-1. INSERT FORCE: 5-20N Max
 - 2-2. WITHDRAW FORCE: 5-20N Min
 - 2-3. LIFE TEST :3,000 CYCLES



RECOMMENDED P.C.B. LAYOUT
TOLERANCE UNSPECIFIED ±0.05mm

受控文件

A5	CC1	B12	GND
A9	VBUS	B9	VBUS
A12	GND	B5	CC2
PIN	SIGNAL NAME	PIN	SIGNAL NAME

深圳市兴烨电子有限公司 Shenzhen XingYe Electronics co., Ltd			
TOLERANCE			
X.X	±0.30	X.°	±2°
.XX	±0.20	.X°	±1°
.XXX	±0.10	.XX°	±0.5°
UNITS	mm	DRAW: 马洪飞	

Series Name :			
Product Name : TYPE-CF-6P直插H6. 25			
Part NO:		UCZ17491	
	SCALE	SHEET	REV.
	1:1	1/1	A1