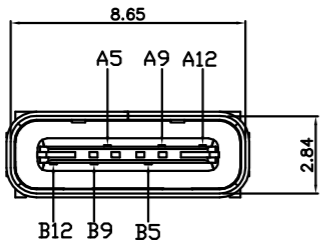
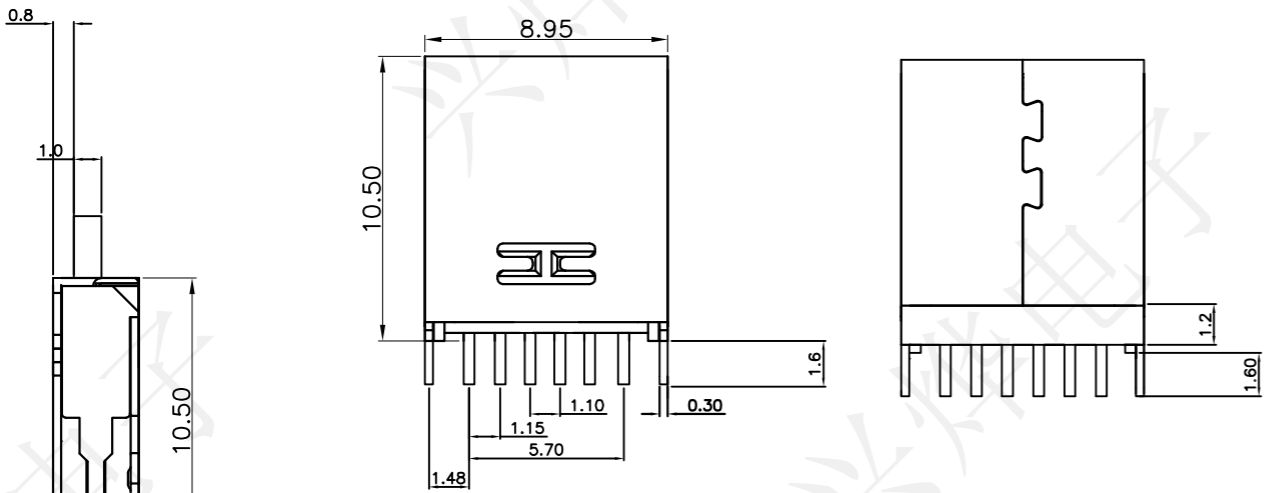


REV.	ECN NO.	DESCRIPTION	DRAW	APPD.	DATE
A	---				



PIN	SIGNAL NAME
B12	GND
B9	VBUS
B5	CC2
A5	CC1
A9	VBUS
A12	GND



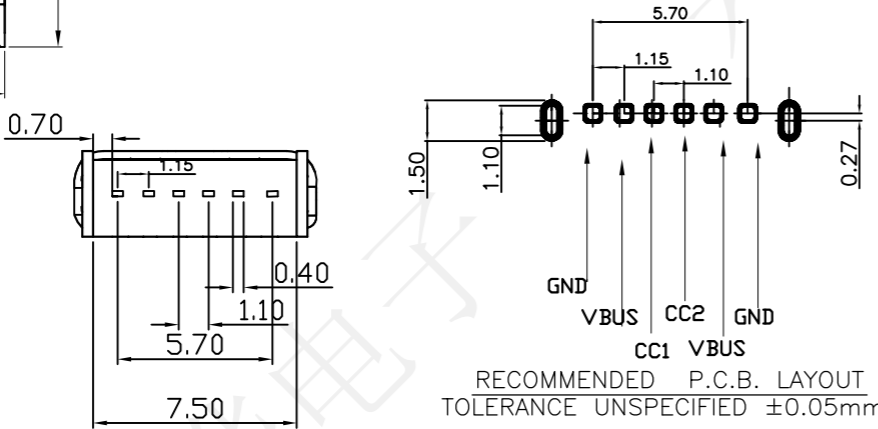
NOTES:

1.MECHANICAL:
 INSERTION: 5~20N.
 EXTRACTION: 8~20N AFTER TEST.
 DURABILITY: 5000 CYCLES

2.ELECTRICAL:
 CURRENT: 3A FOR VBUS;
 1.25A FOR GND PIN.
 0.25A FOR OTHER.
 VOLTAGE: 20 V MAX
 WITHSTANDING VOLTAGE: 100V AC R.M.S.
 CONTACT RESISTANCE: 40mΩ MAX.
 INSULATION RESISTANCE: 100MΩ MIN.

3.ENVIRONMENTAL
 TEMPERATURE RANGE -25°C ~ +85°C

受控文件



RECOMMENDED P.C.B. LAYOUT
 TOLERANCE UNSPECIFIED ±0.05mm

NO.	Part name	Material	Remarks
4	Front shell	Stainless steel	Ni/SN plated
3	Mid plate	Stainless steel	
2	Contact	Copper alloy	Au/Ni plated
1	Housing	LCP	Black

深圳市兴烨电子有限公司
 ShenZhen XingYe Electronics co., Ltd

TOLERANCE	
.XX ±0.30	X.° ±2°
.XX ±0.20	.X° ±1°
.XXX ±0.10	.XX° ±0.5°
UNITS	mm

Series Name :		
Product Name :	TYPE-CF-6P直插L10.5	
Part NO:	UCZ17407	
SCALE	SHEET	REV.
1:1	1/1	A1

APPD: 陈爱光
 CHED: 施立敏
 DRAW: 马洪飞